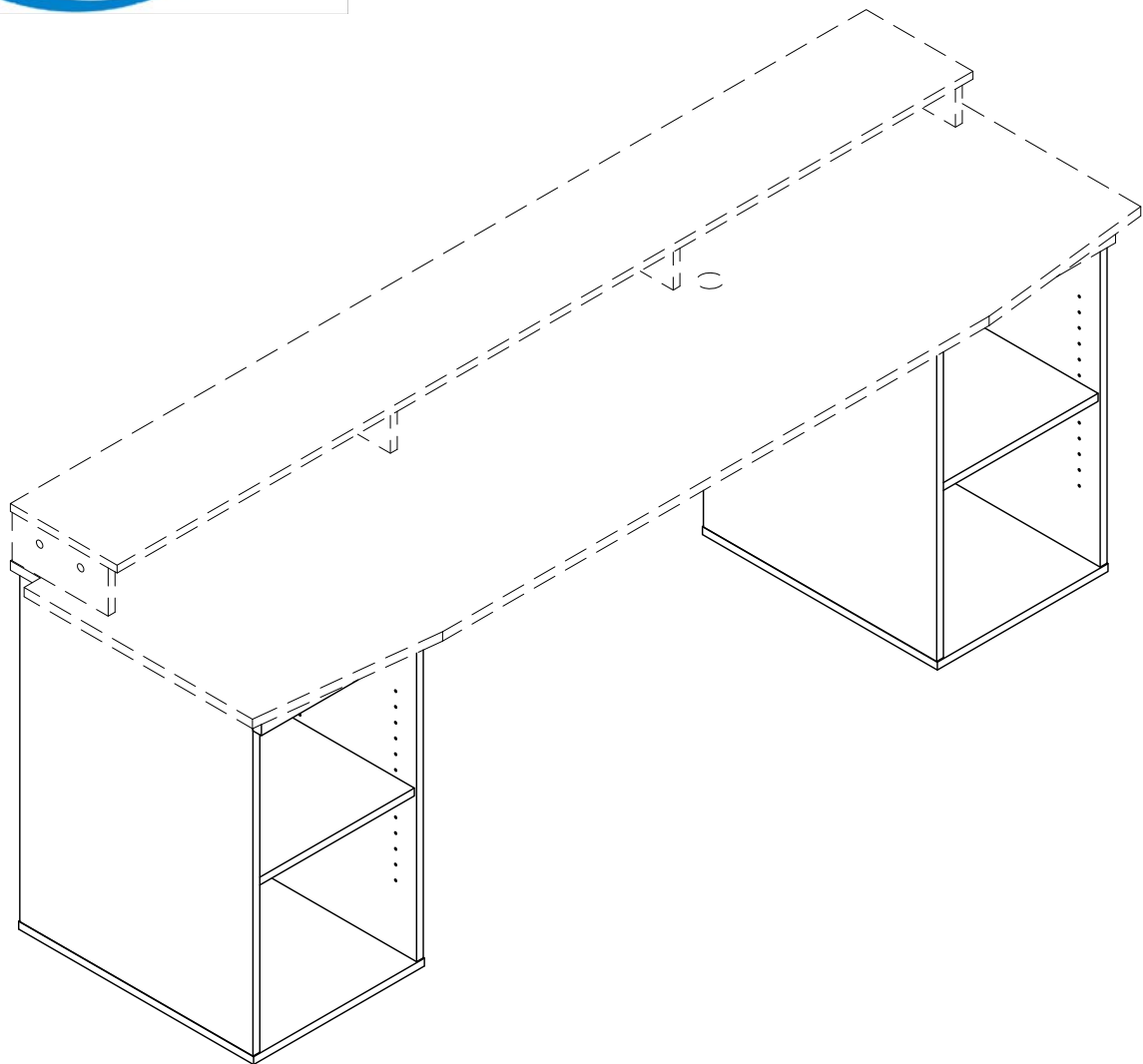




Gaming Desk

?????????

Assembly instructions - please keep for future reference

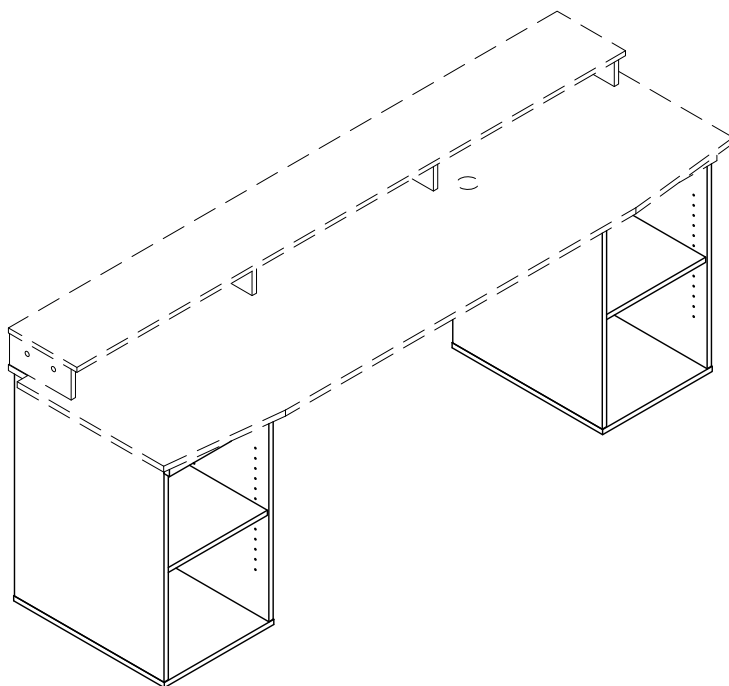


Dimensions

Width- 208 cm
Depth- 65 cm
Height- 85,5 cm

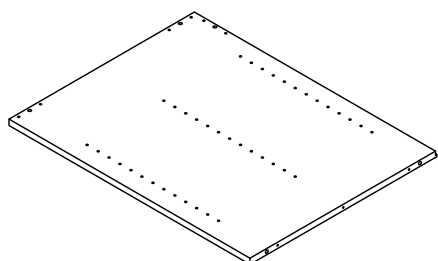
Important- Please read these instructions fully before starting assembly

If you need help or have damaged or missing parts, call the Customers Helpline: 03301241100
E mail: enquiries@bensonsforbeds.co.uk

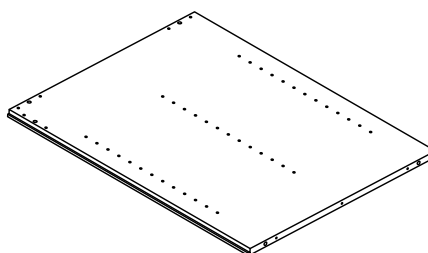


Components- Panels

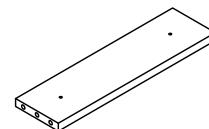
Please check that you have the panels listed below



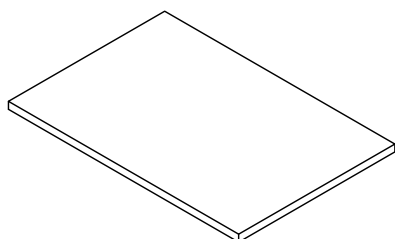
1 Left side x2
(70,4x54,6x1,6 cm)



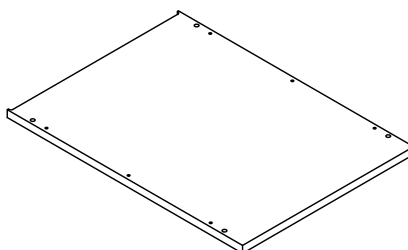
2 Right side x2
(70,4x54,6x1,6 cm)



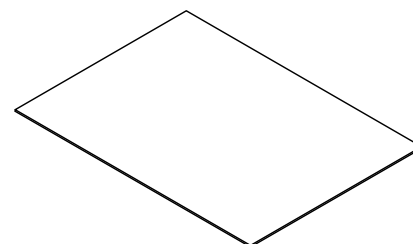
3 Support rails x6
(36,7x10x1,6 cm)



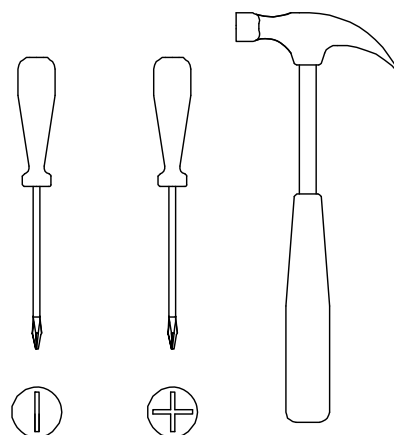
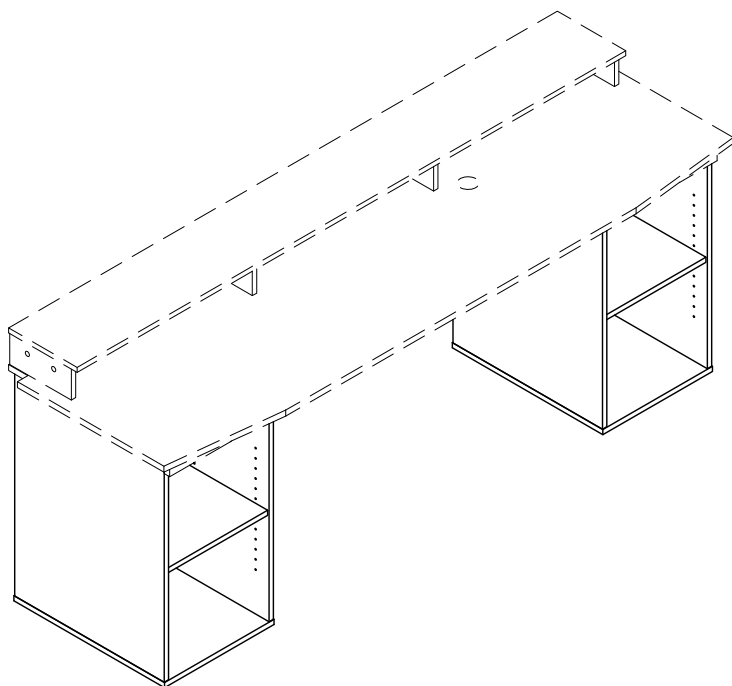
4 Shelf x2
(36,5x53,8x1,6 cm)



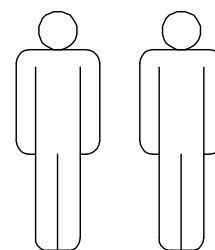
5 Base x2
(40x55x1,6 cm)



6 Back panel x2
(71,9x38,5x3,2cm)




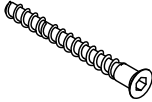
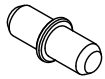
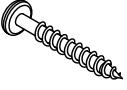
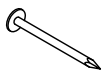



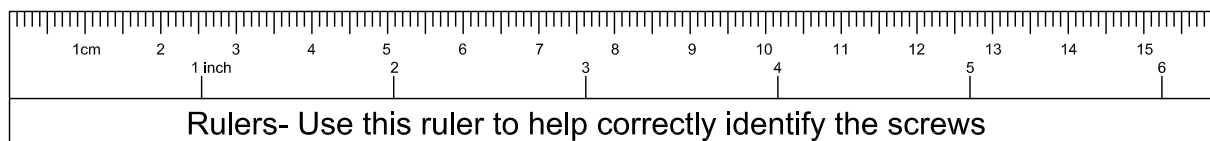
Tools that are needed



Components- Fittings

Please check that you have the fittings listed below

 A 8x30 20x	 B 24x	 C 24x	 D 5x50 12x	 E 12x	 F 4x25 8x
				 G 50x	 H 8x



Step 1

In this step use these fittings:

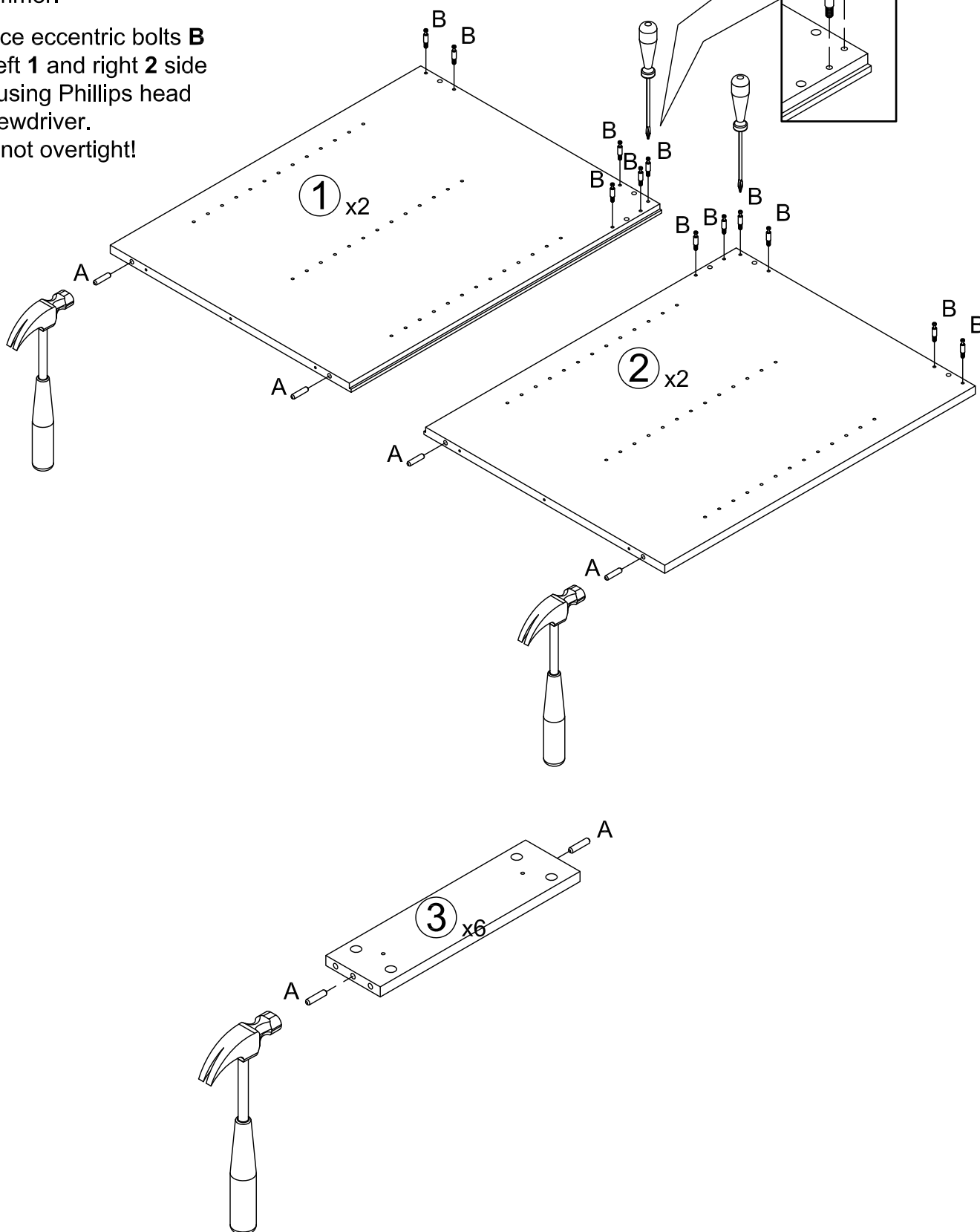
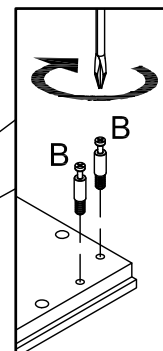
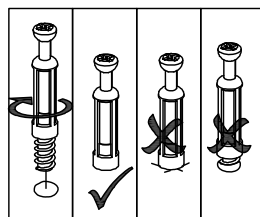
Ax20

Bx24

Insert dowels **A** in left **1** and right **2** side and support rails **3**. Tap gently with a small hammer.

Place eccentric bolts **B** in left **1** and right **2** side by using Phillips head screwdriver.

Do not overtight!

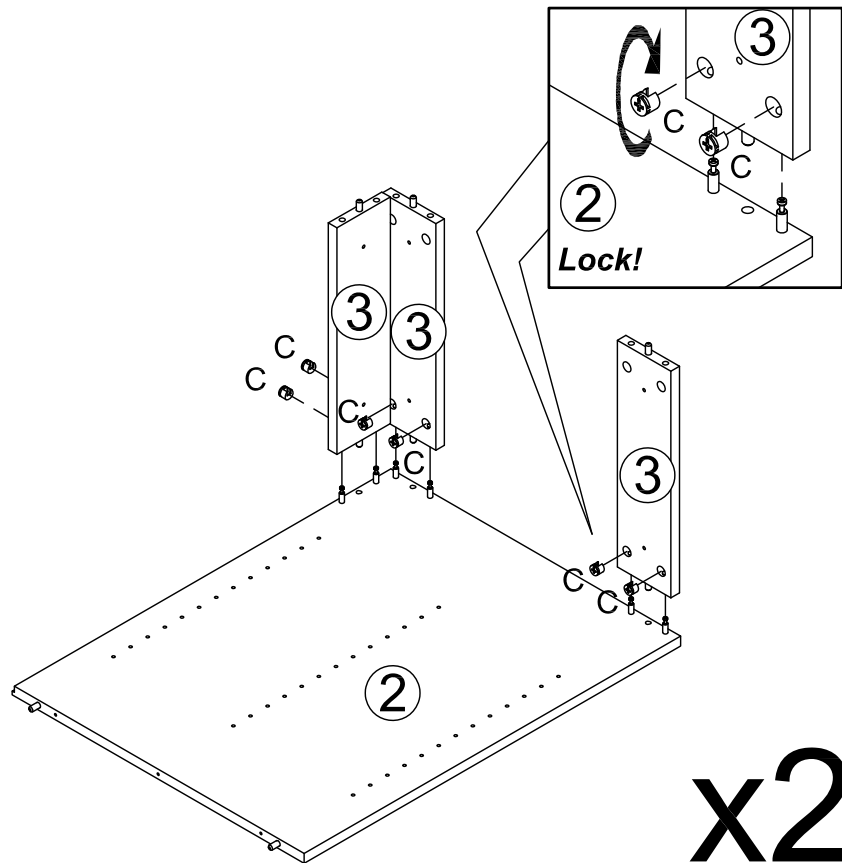


Step 2

In this step use these fittings:

Cx12

Assemble right side **2** to support rails **3** by pushing them together. Insert locking nut **C** using Phillips head screwdriver.

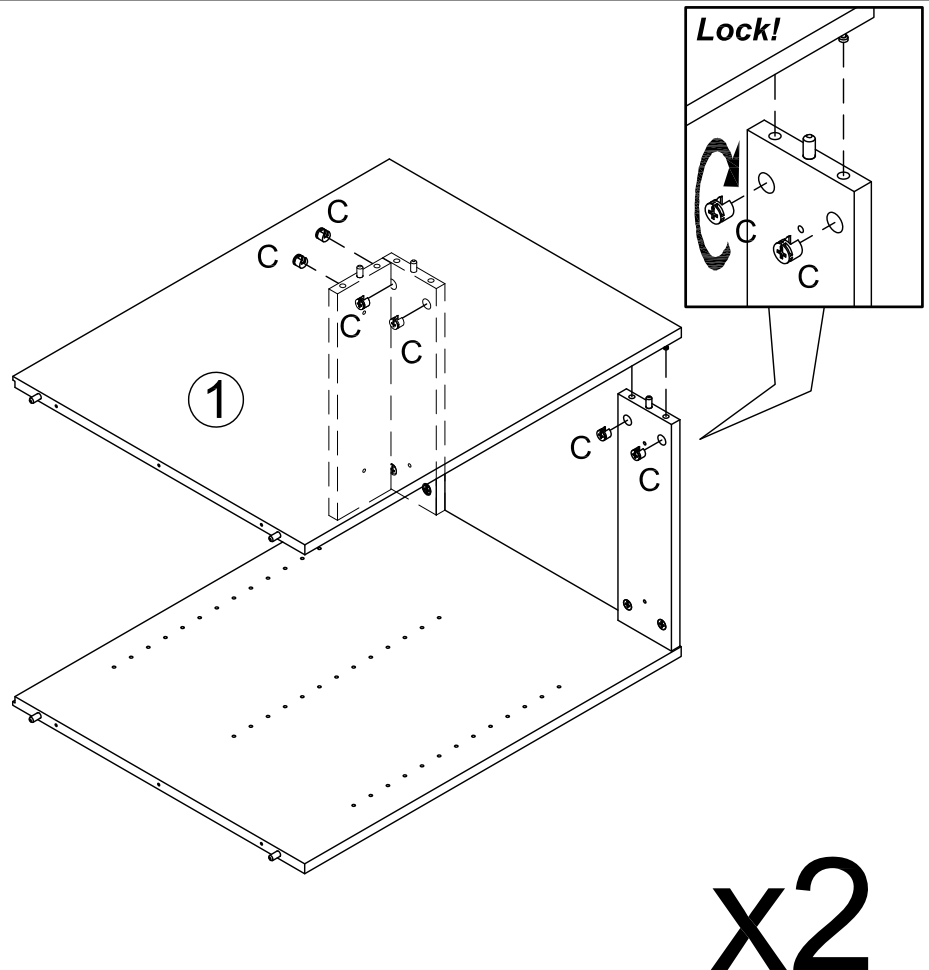


Step 3

In this step use these fittings:

Cx12

Assemble left side **1** to support rails **3** by pushing them together. Insert locking nut **C** using Phillips head screwdriver.

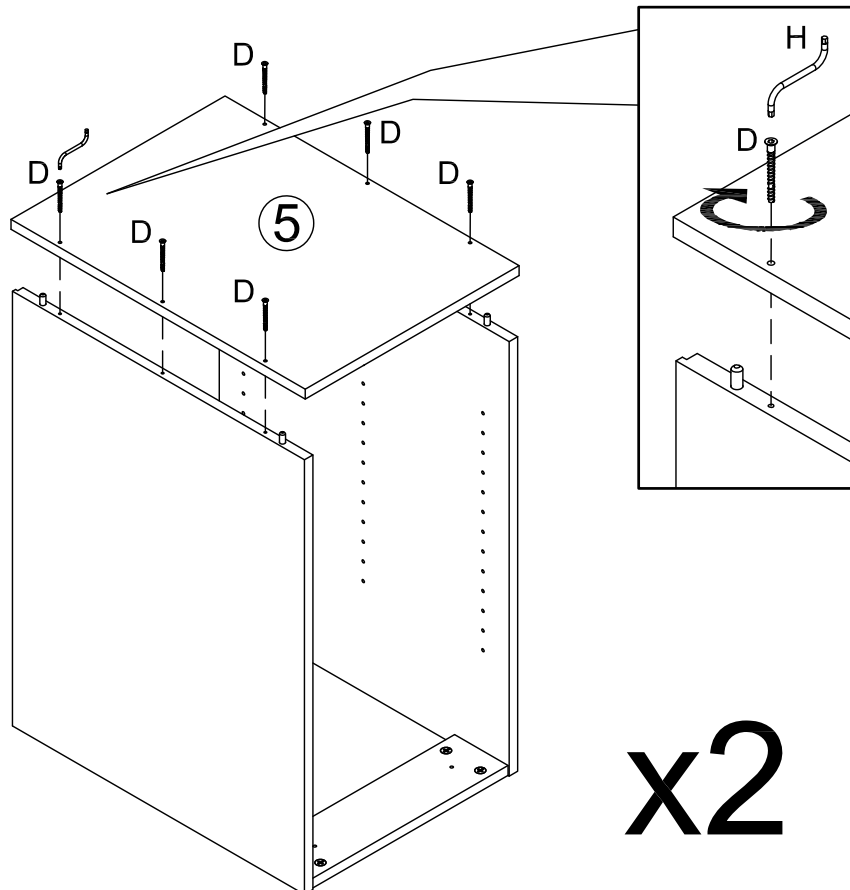


Step 4

In this step use these fittings:

Dx12

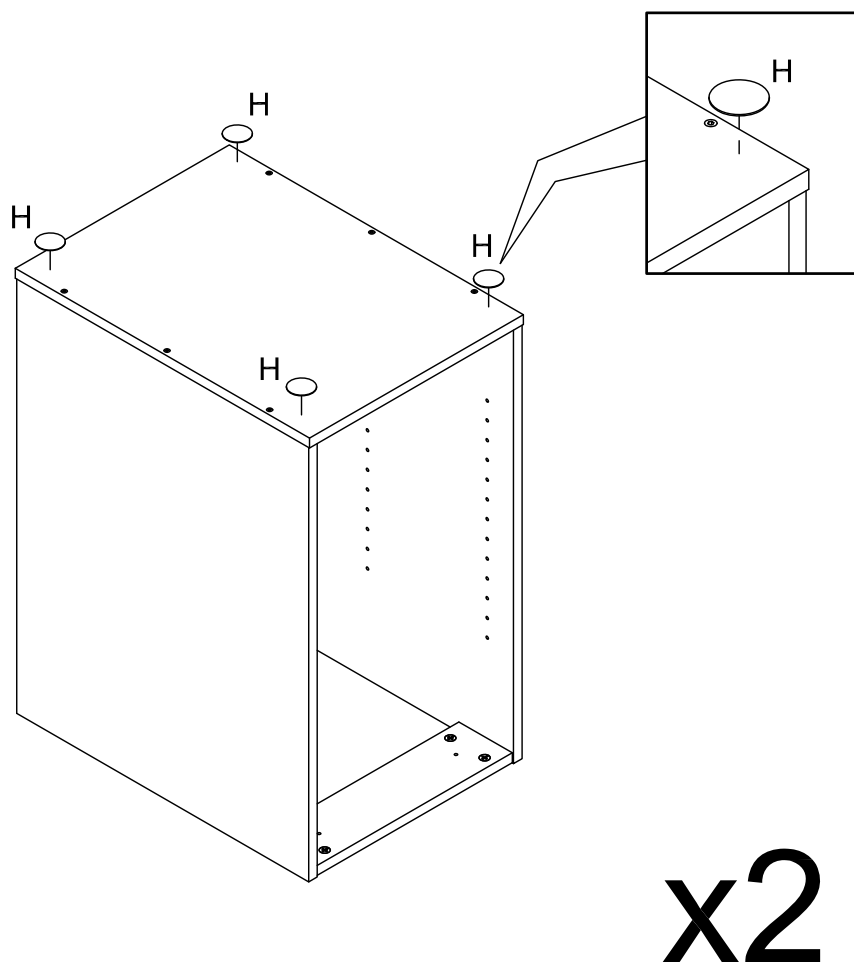
Assemble base **5** to frame by pushing them together and fasten with connecting bolts **D** using allen key **H**.



Step 5

In this step use these fittings:

Hx8



Step 6

7/10

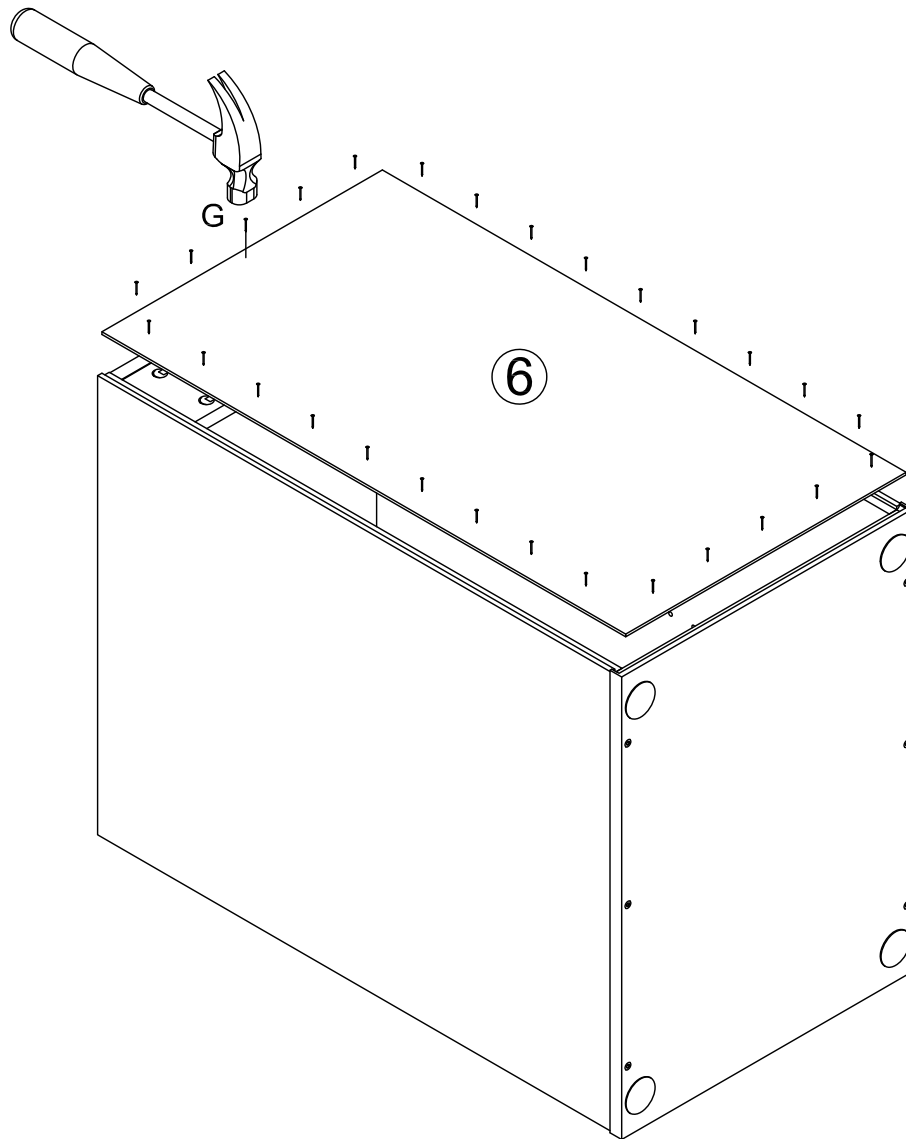
In this step use these fittings:

Gx50

Assemble back panel **6**
with nail **G**. Using small
hammer.

Optional

If required the back panel (Part **6**) can be not used to aid ventilation of a PC.



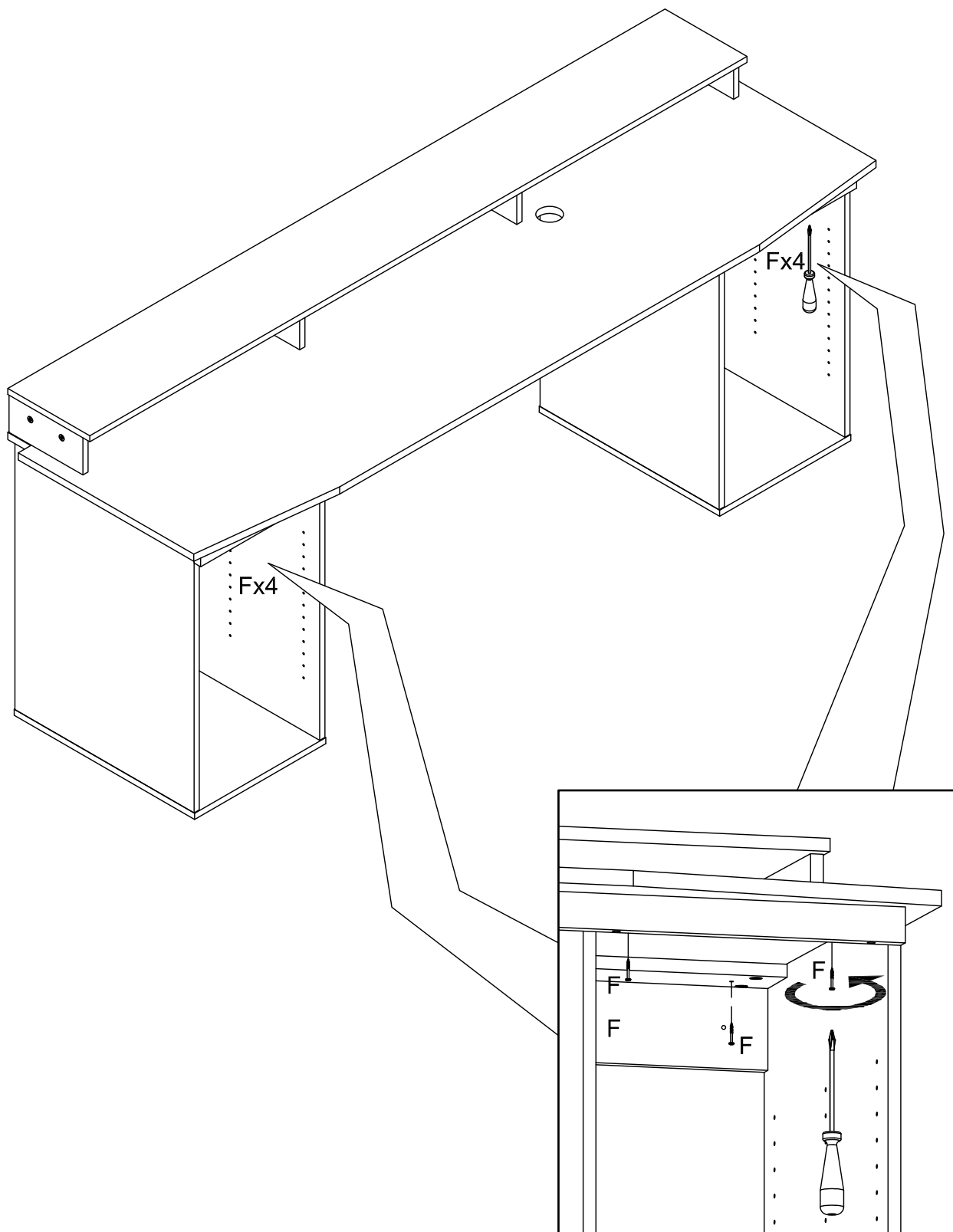
x2

Step 7

In this step use these fittings:

Fx8

Fasten case to the table top with screws **F** using Phillips head screwdriver.

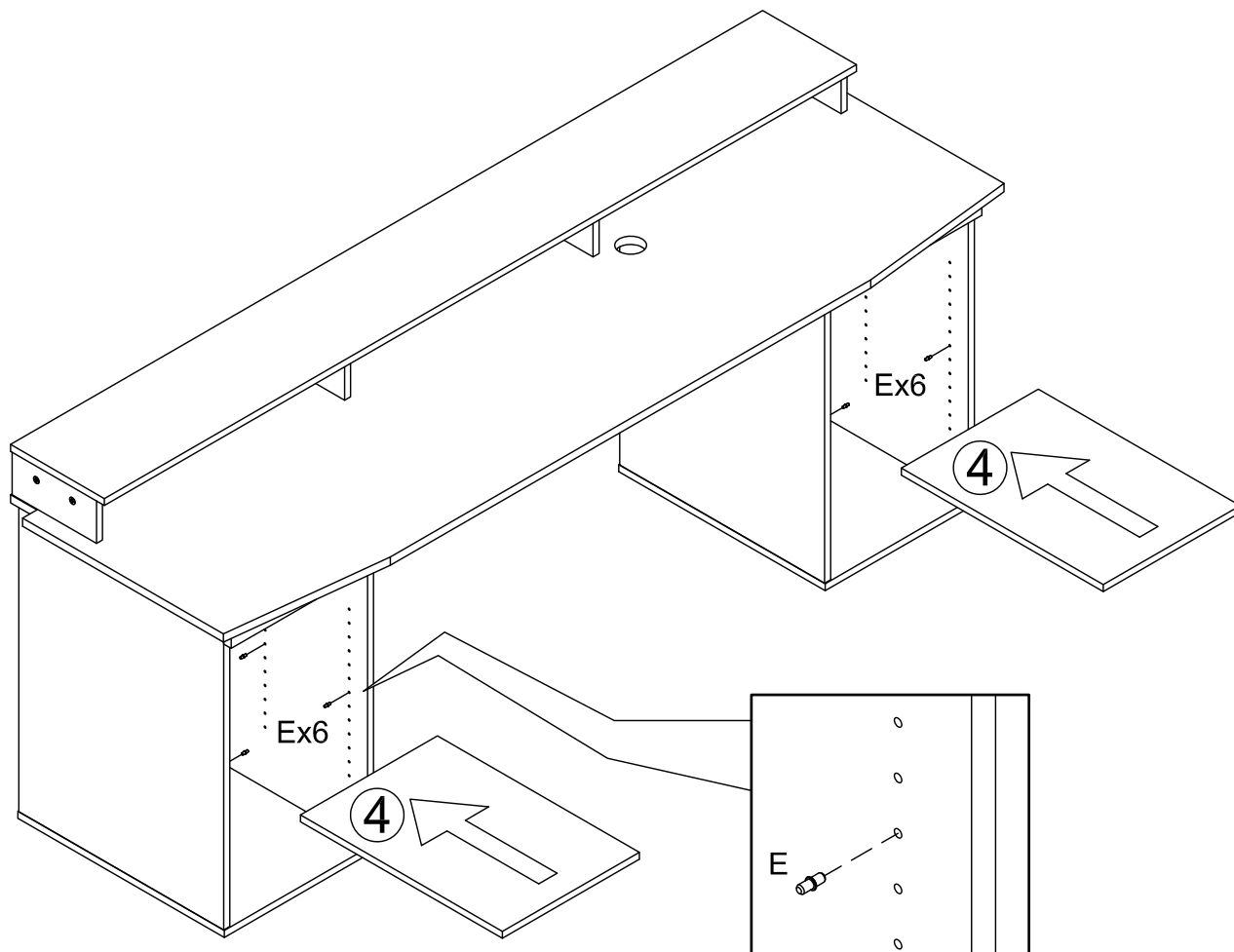


Step 8

In this step use these fittings:

Ex12

Assemble shelf **4** with shelf support **E**.





Customer Notice

Congratulations on your recent purchase of furniture!

Customer Service:

For any spare or missing parts requests please contact us through either:

Phone: 01274 809402

Email: service@kids-avenue.co.uk

By Post: Kids-Avenue, The Old Mill House, Dockfield Rd, Shipley, BD17 7AD

(Our office is open during normal working hours Mon-Fri 9.00am – 5.00pm)

Please ensure that you provide all product information to avoid delays in processing. We require:

Product Name

Colour

Part No required (from assembly instructions)

Quantity Required

Your details including; Name, Address, Postcode and Contact Number

Our product control team has ensured a high quality product that we are sure you will be pleased with. Any components produced from solid wood will contain knots, which is a natural feature and not a defect.