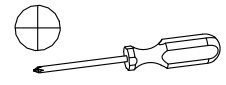
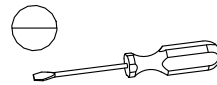
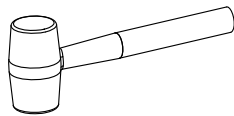
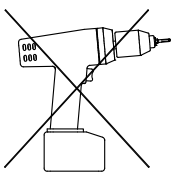


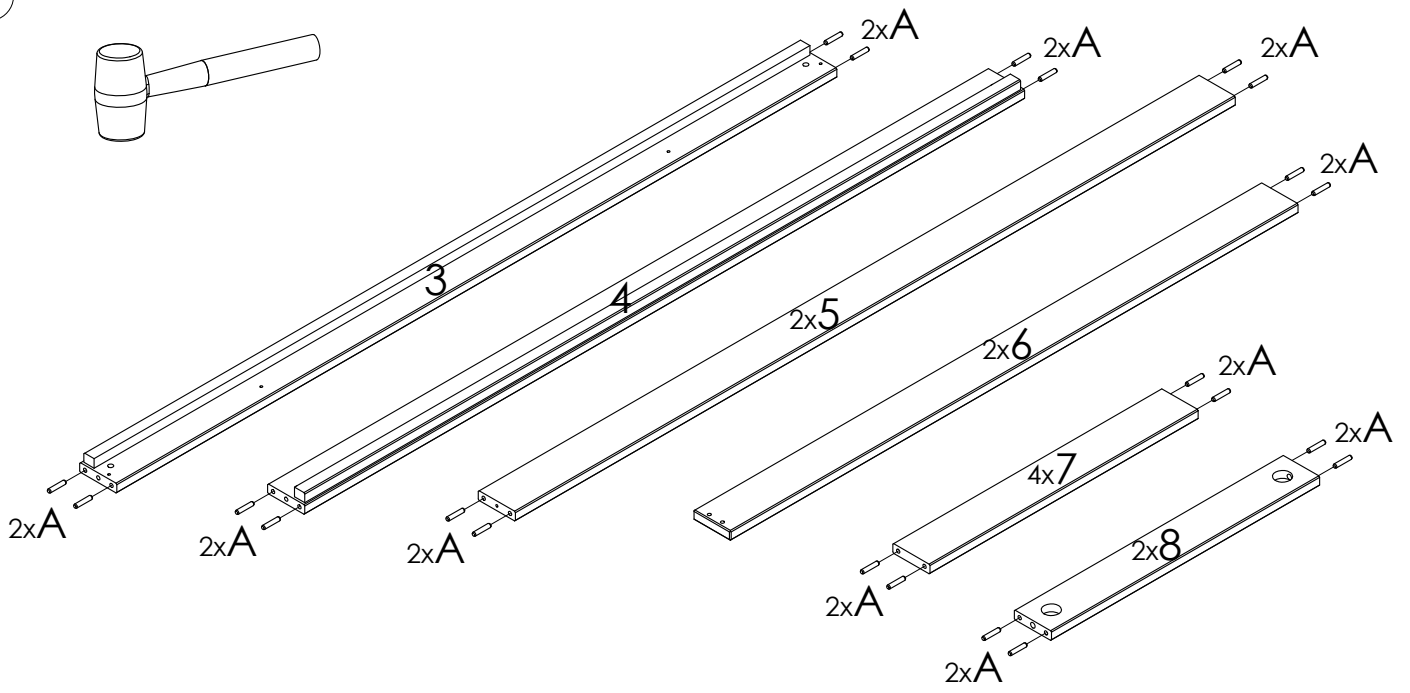
Ladder can be fitted right or left side.




A		8x40	x44
B		6,3x60	x3
C		M6x65	x4
D		M6x10x13	x4
E		7x50	x4
F		7x60	x4
G		D35	x4
H		55/12,2x5	x6

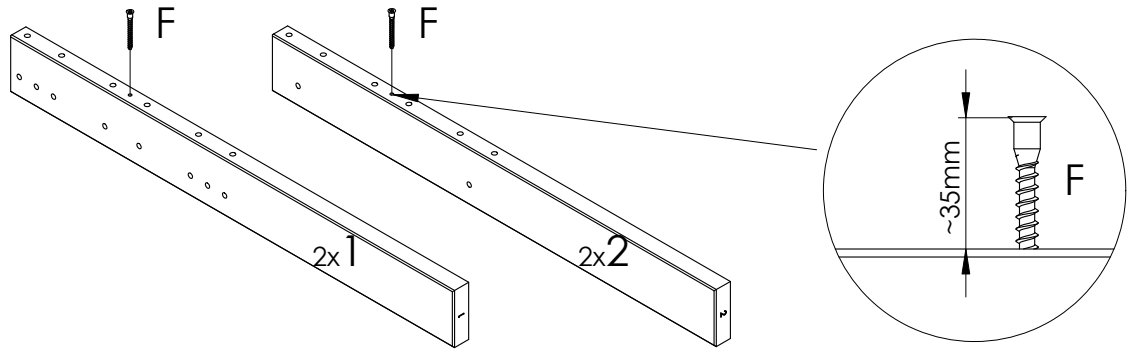
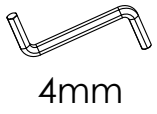
J		4,2x35	x2
K		3,5x40	x6
M		D8x13	x6
N		D15x18	x7
P		D35x12	x4
R		D17x3	x4
S		D24x3	x8
T		4mm	x1


①



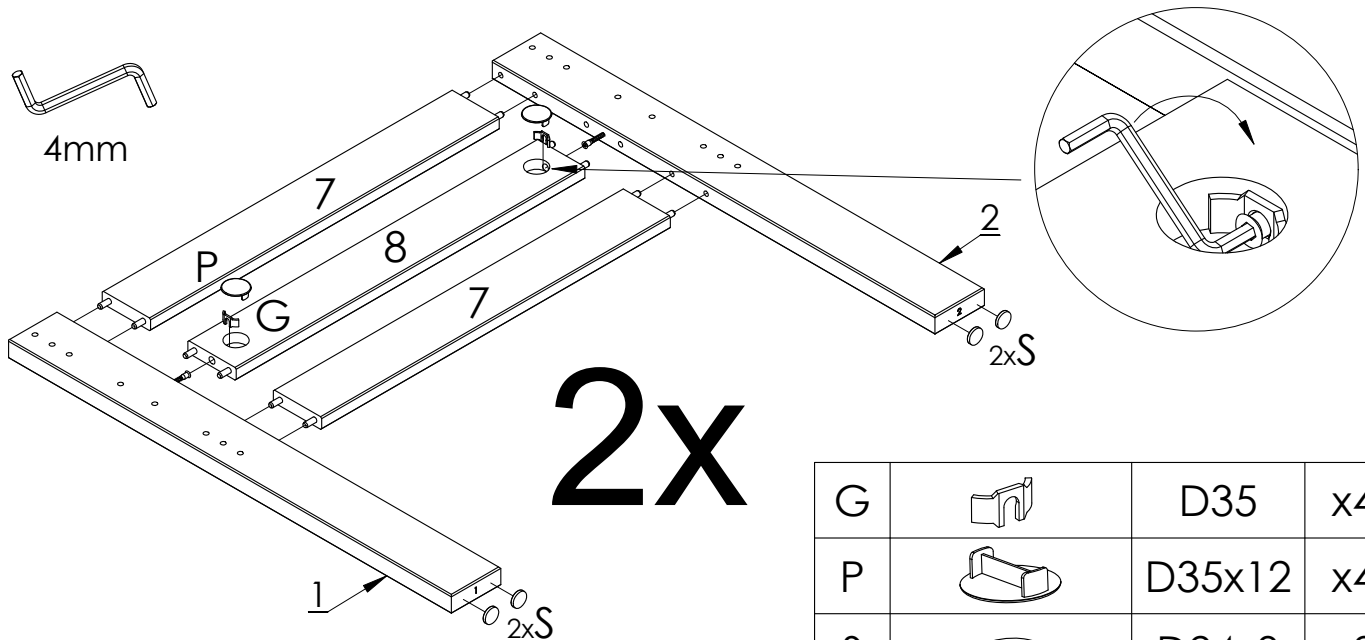
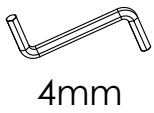
A		8x40	x44
---	---	------	-----


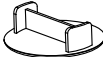

②



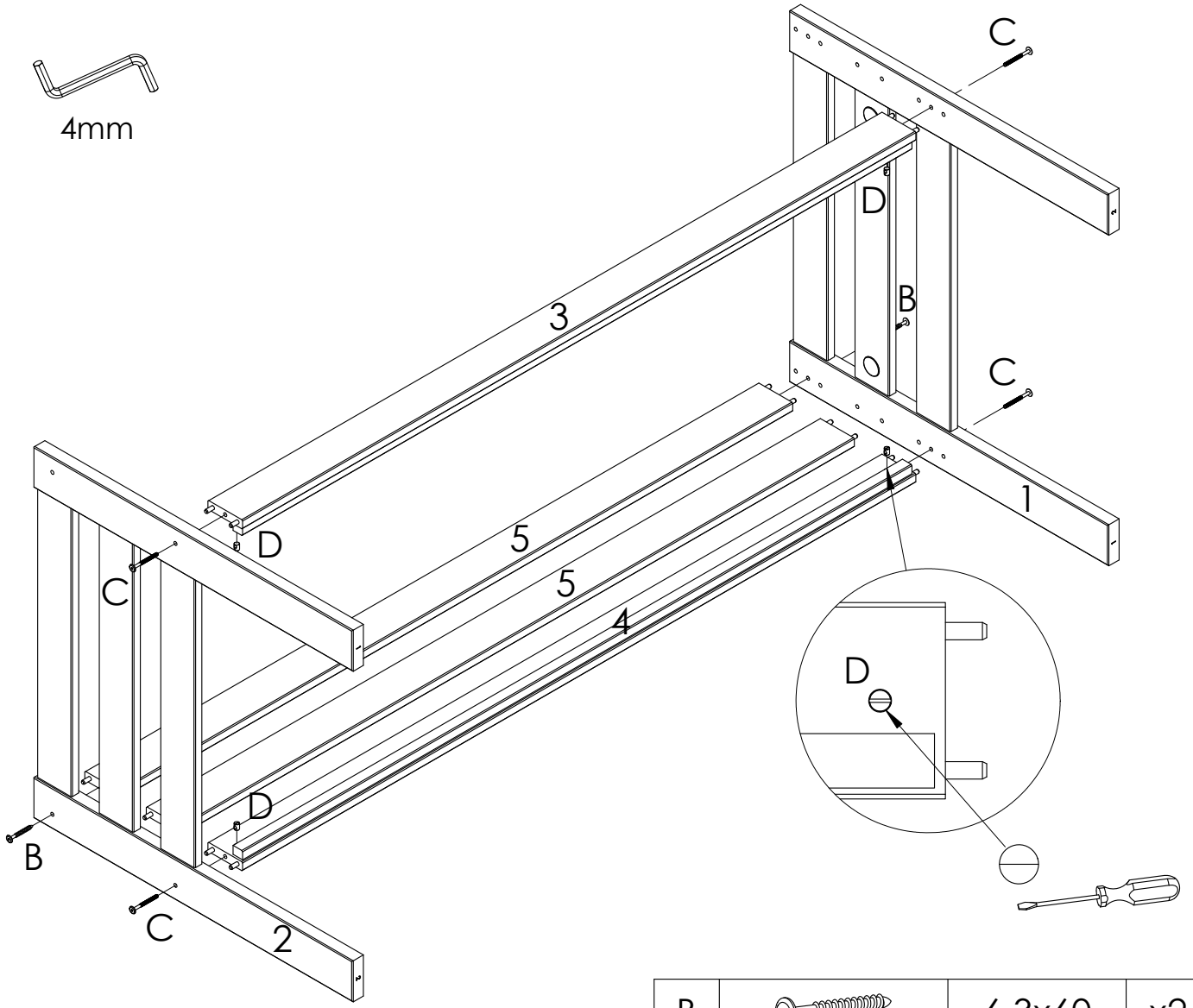
F		7x60	x4
---	---	------	----

③



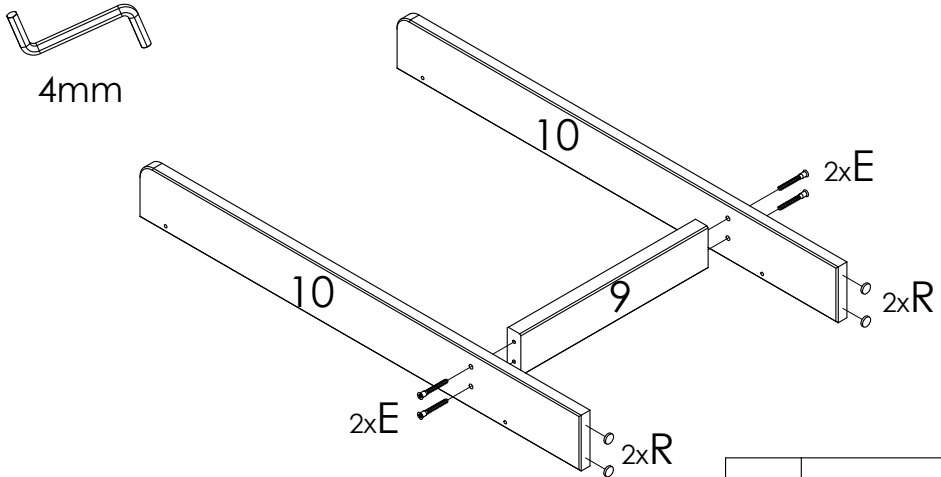
G		D35	x4
P		D35x12	x4
S		D24x3	x8

4



B		6,3x60	x2
C		M6x65	x4
D		M6x10x13	x4

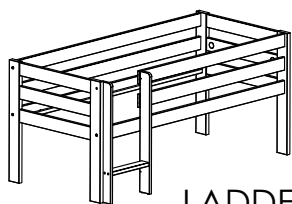
5



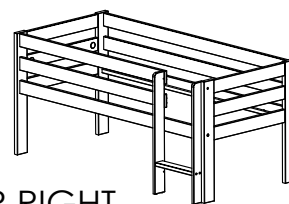
E		7x50	x4
R		D17x4	x4

6

Decide which side to attach ladder.

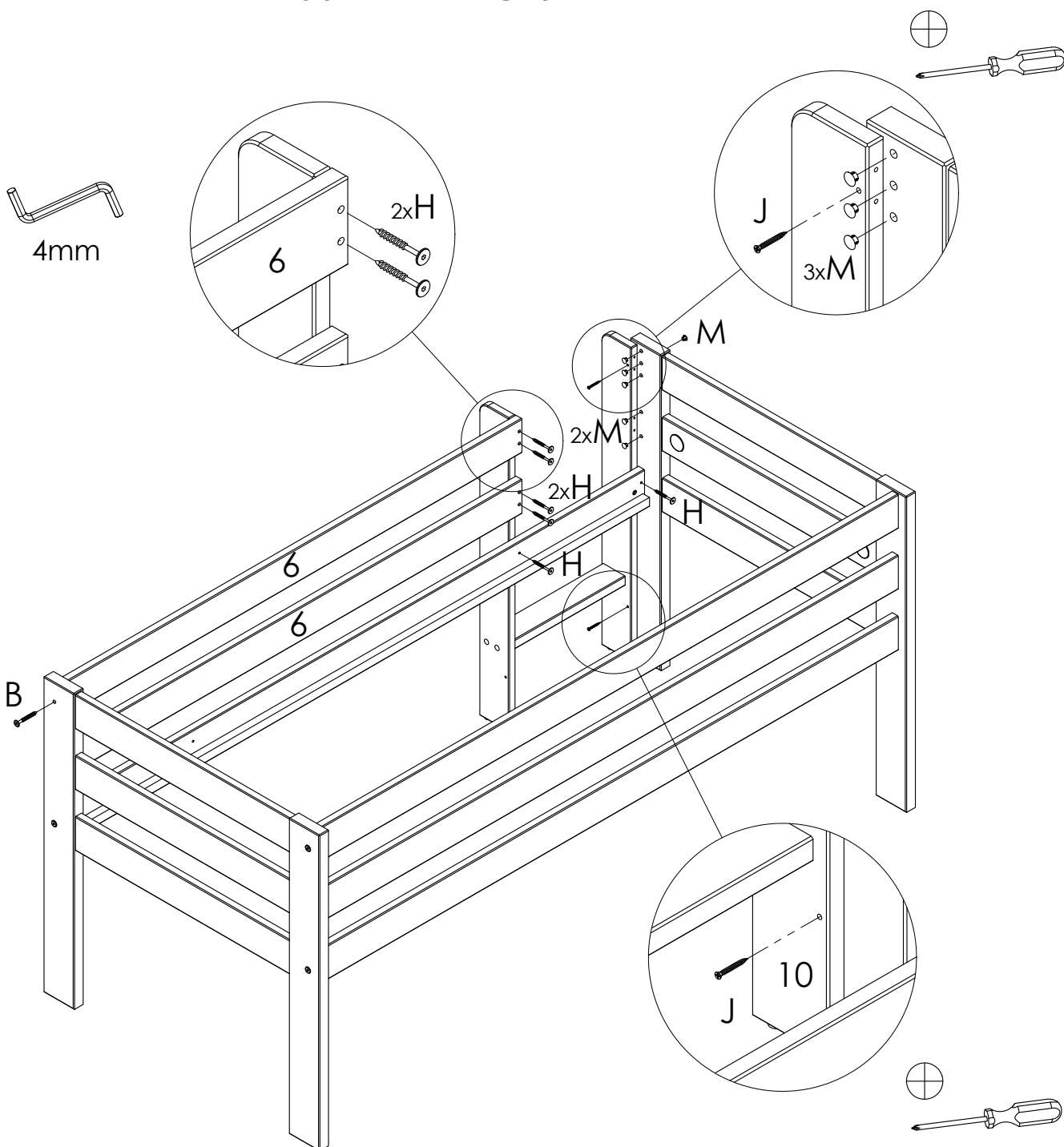




LADDER LEFT


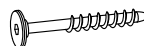


LADDER RIGHT

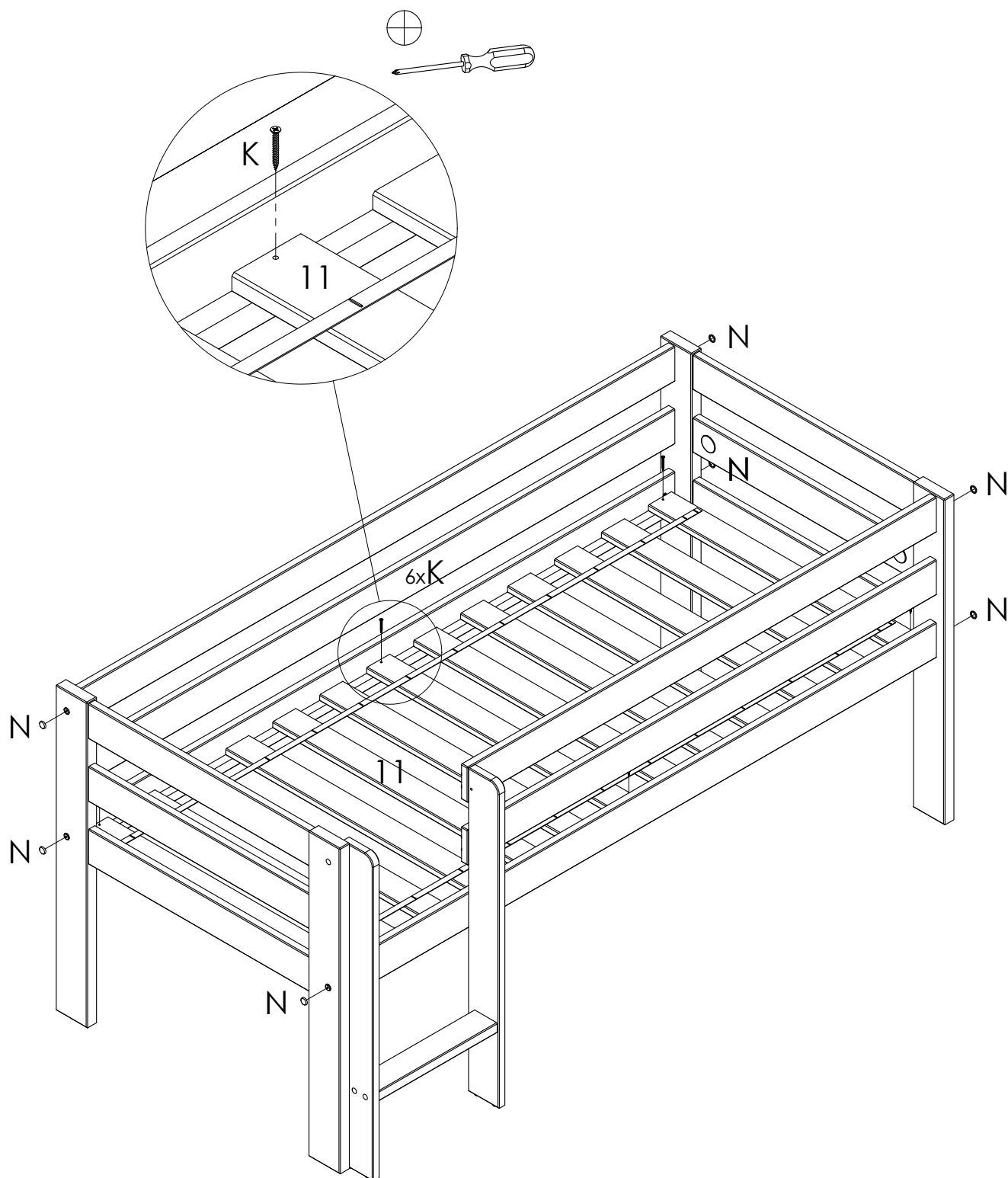
ASSEMBLING SLIDE LEFT





B		6,3x60	x1
M		D8x13	x6

J		4,2x35	x2
H		55x12,2x5	x6

7



N		D15x18	x7
K		3,5x40	x6