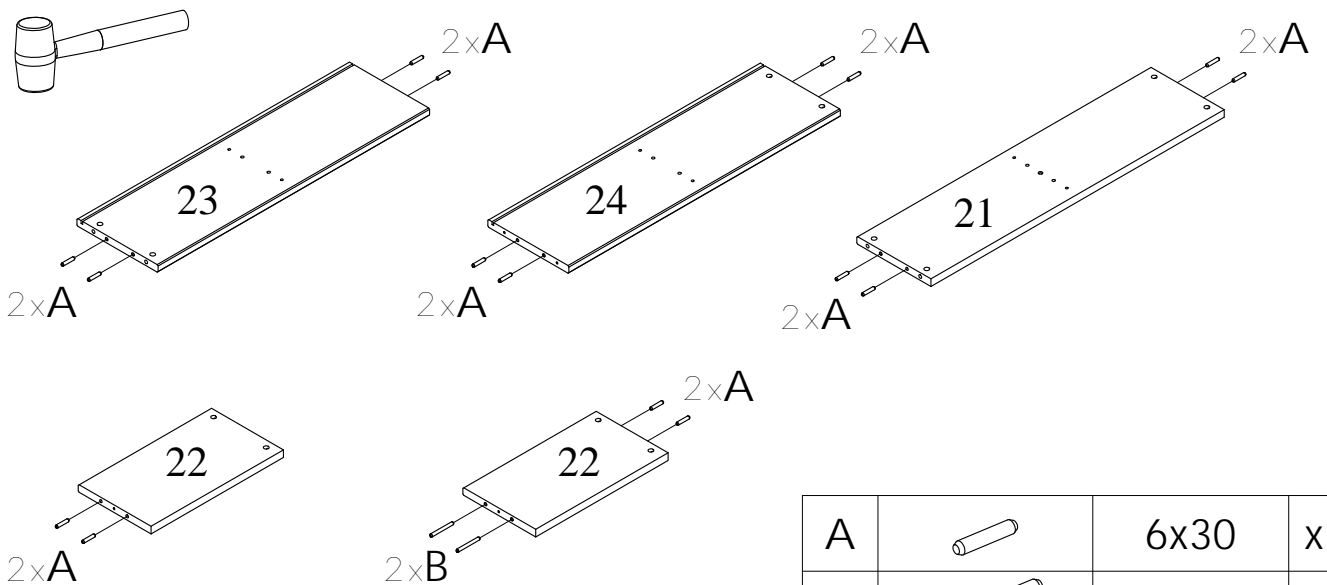


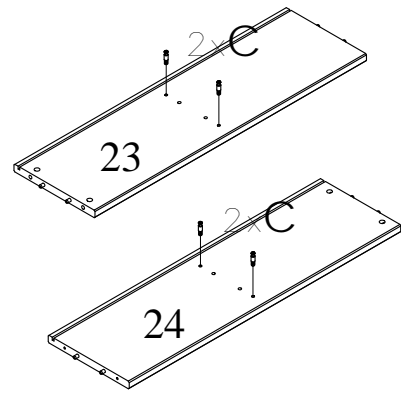
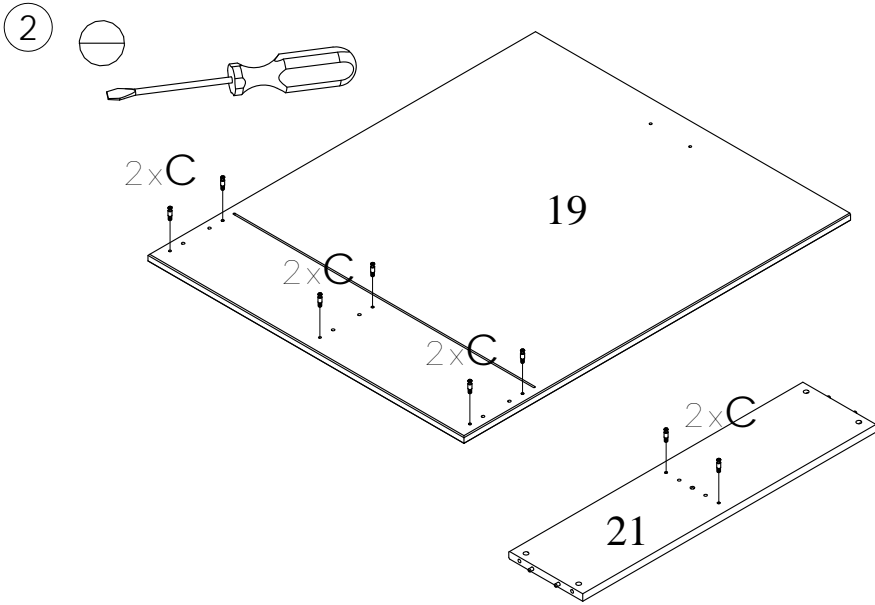
A		6x30	x16
B		6x55	x2
C		6,5x27	x12
D		10x11	x12
E		4,2x45	x6
F		D28	x2
G		3,5x16	x4

H		3x16	x3
J		3,5x20	x8
K		60x30x3	x2
L		4,5x50	x2
M		4,5x60	x2
N		4,5x30	x2

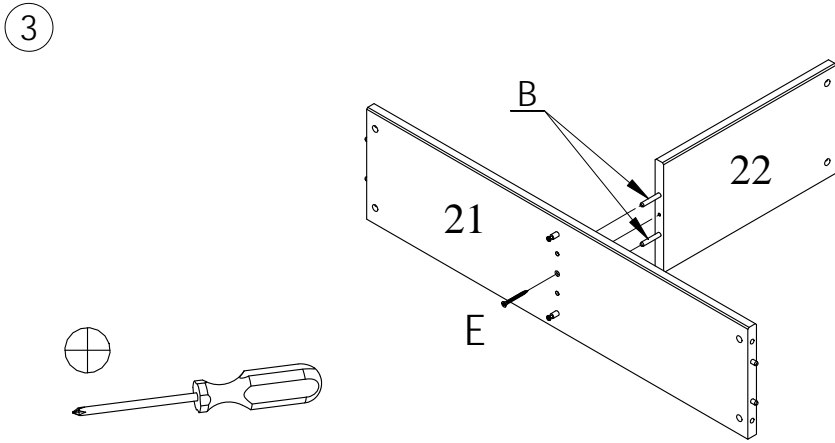
①



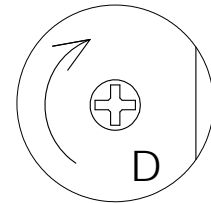
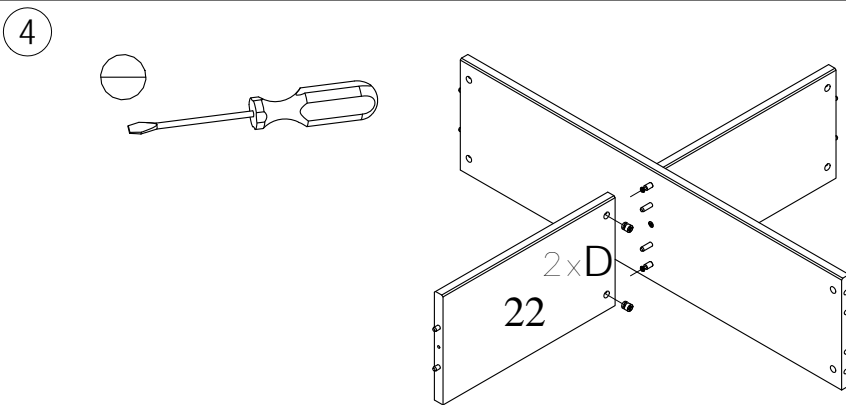
A		6x30	x16
B		6x55	x2



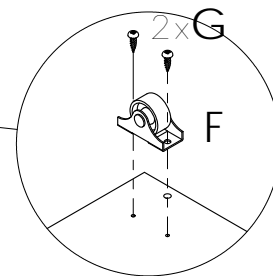
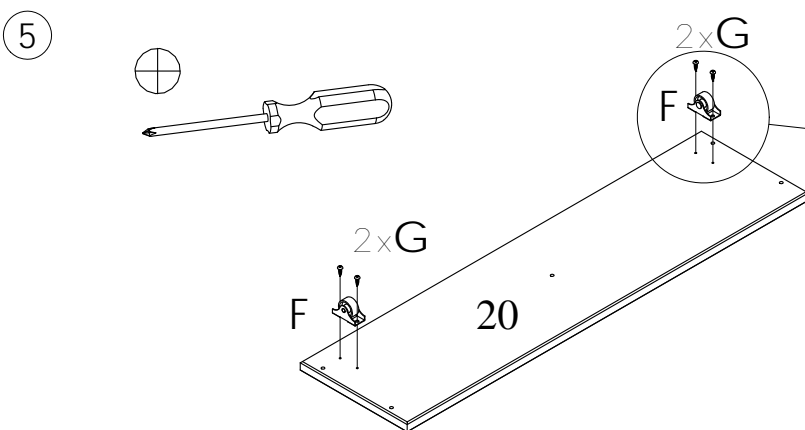
C		6,5x27	x12
---	--	--------	-----



E		4,2x45	x1
---	--	--------	----

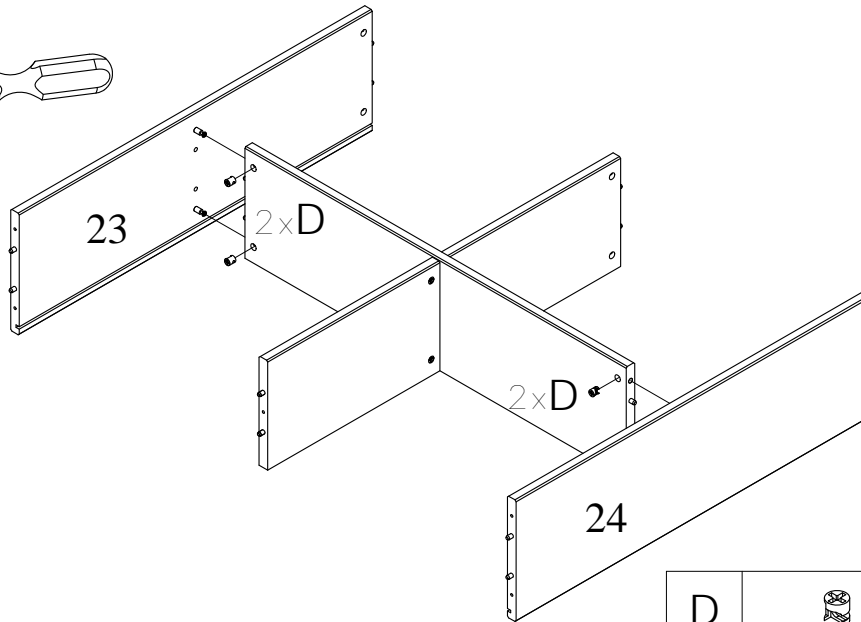
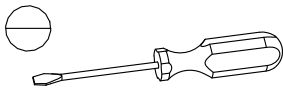


D		D10x11	x2
---	--	--------	----



F		D28	x2
G		3,5x16	x2

6



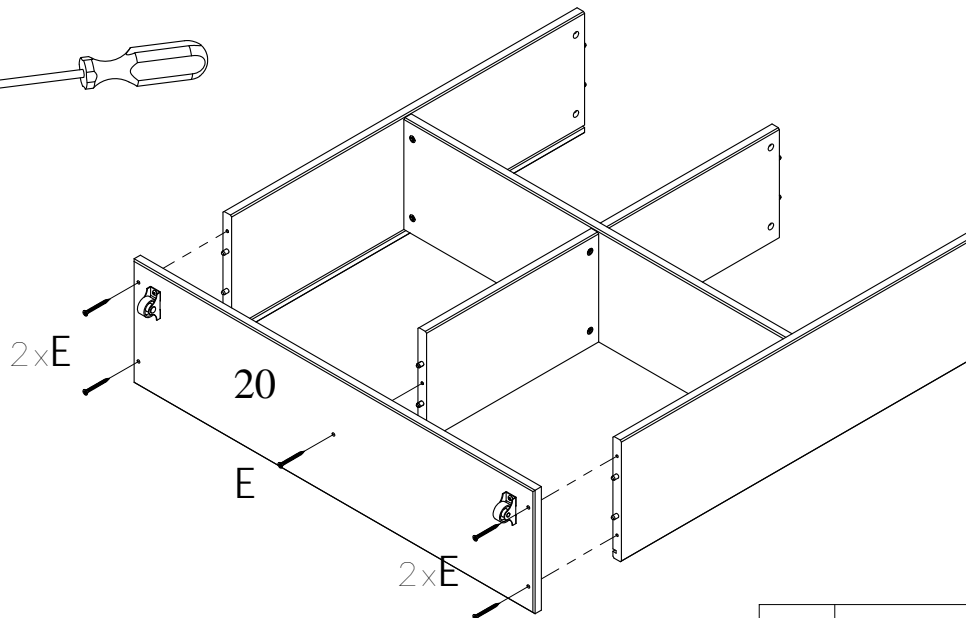
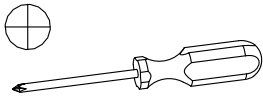
D



D10x11

x4

7



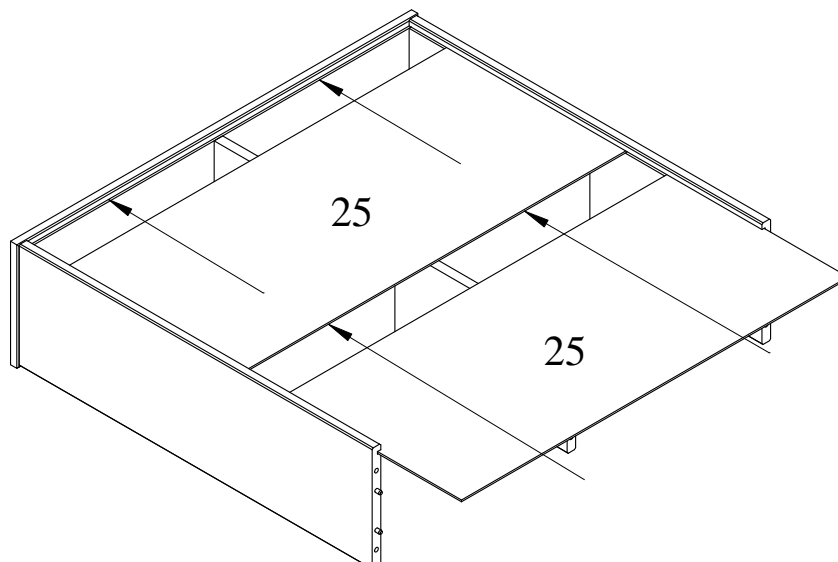
E



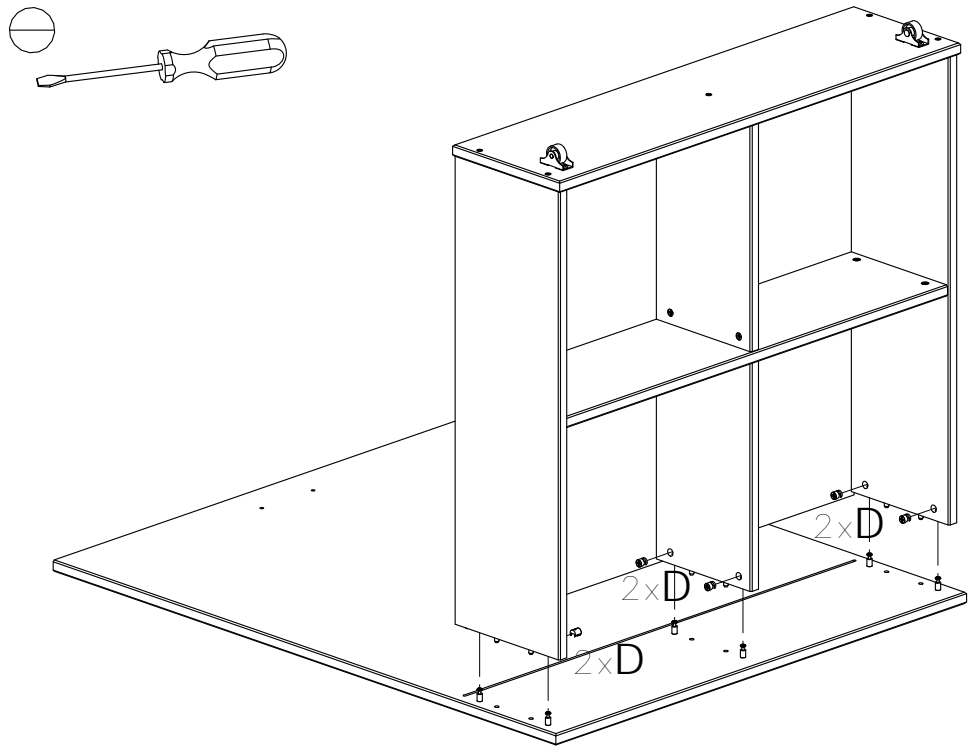
4,2x45


x5

8

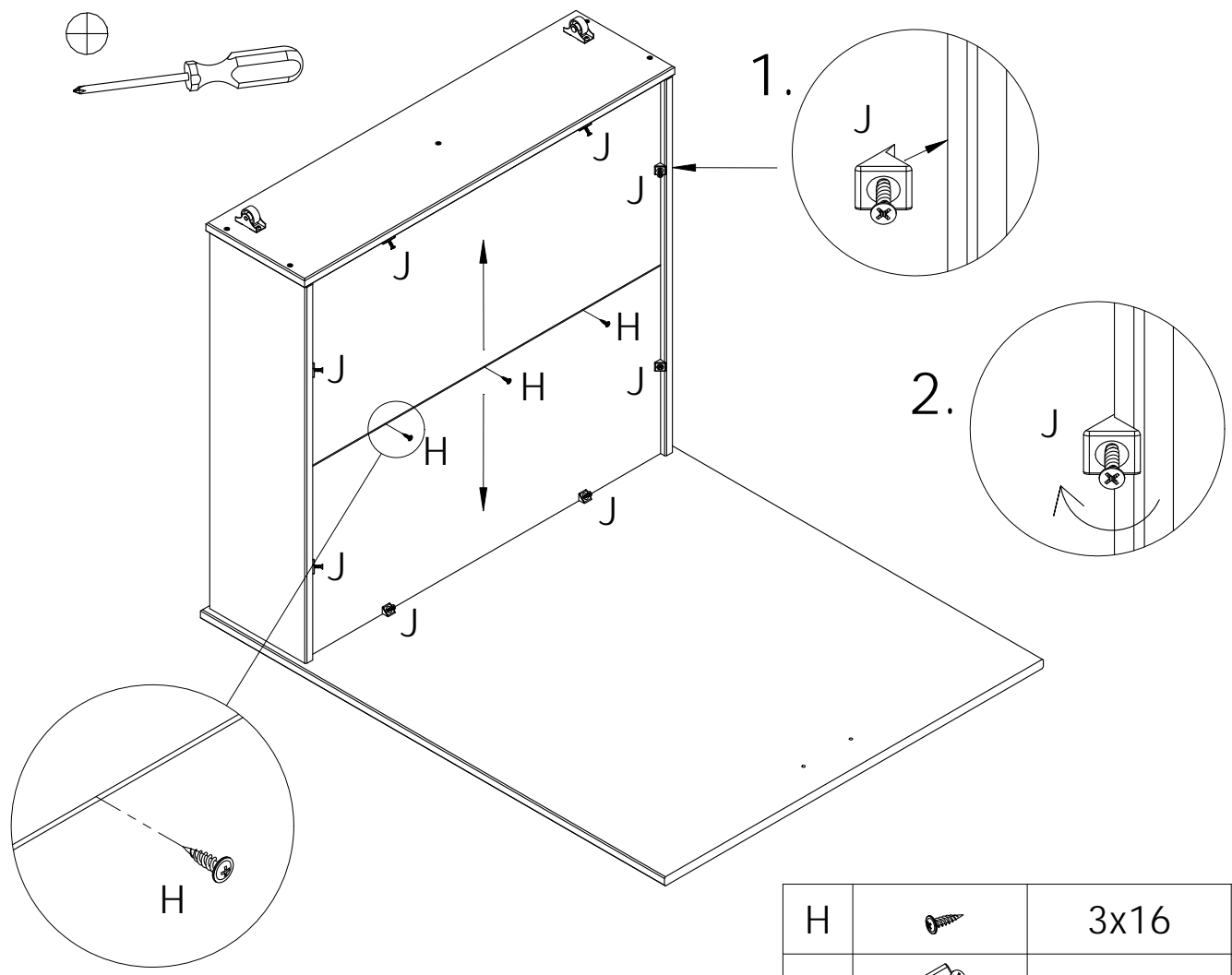


9



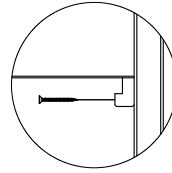
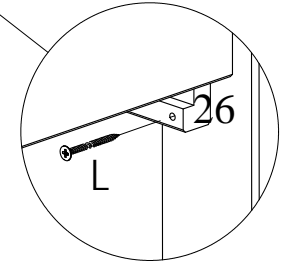
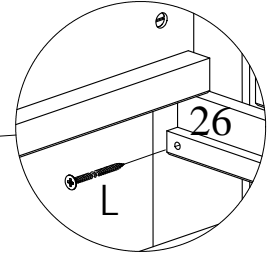
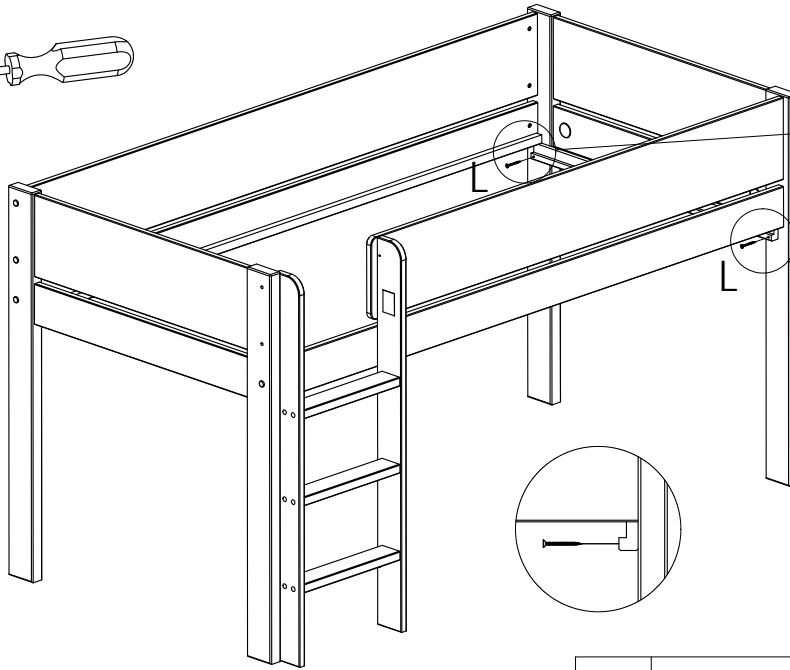
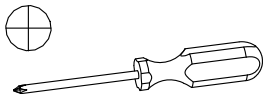
D		D10x11	x6
---	--	--------	----


10



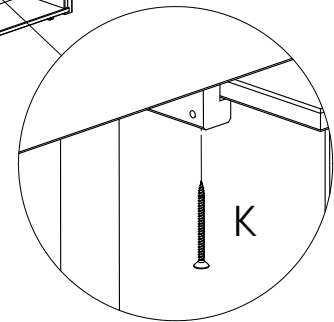
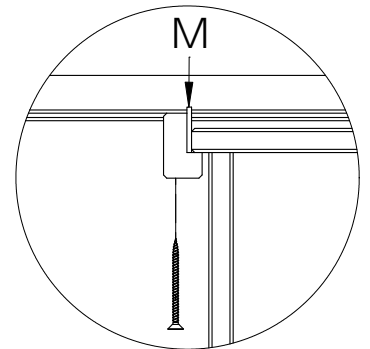
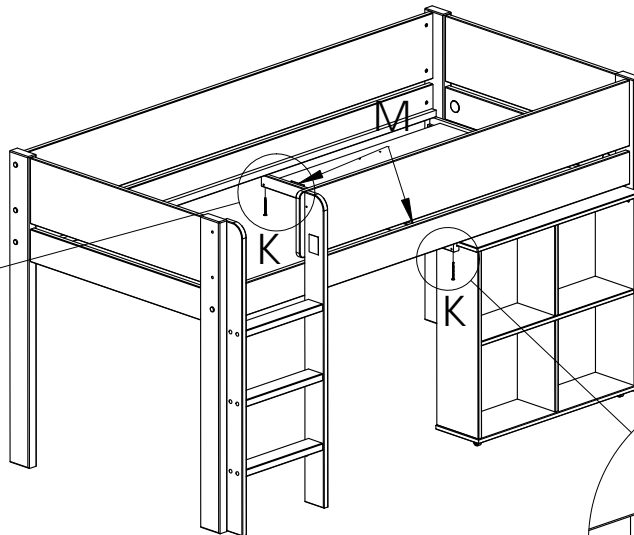
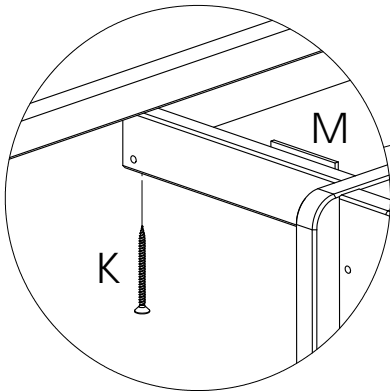
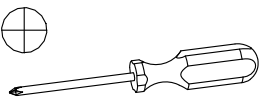
H		3x16	x3
J		3,5x20	x8



11



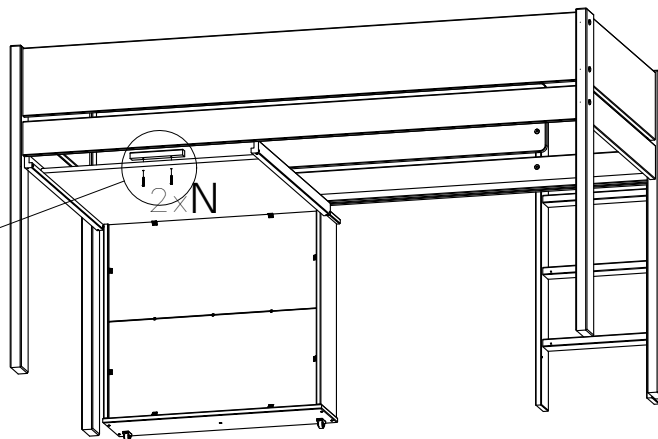
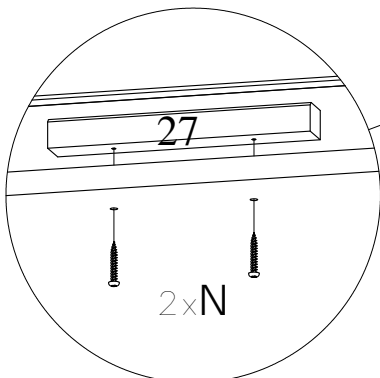
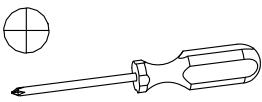
L		4,5x50	x2
---	---	--------	----


12



M		60x30x3	x4
K		4,5x60	x2

13



N		4,5x30	x2
---	---	--------	----