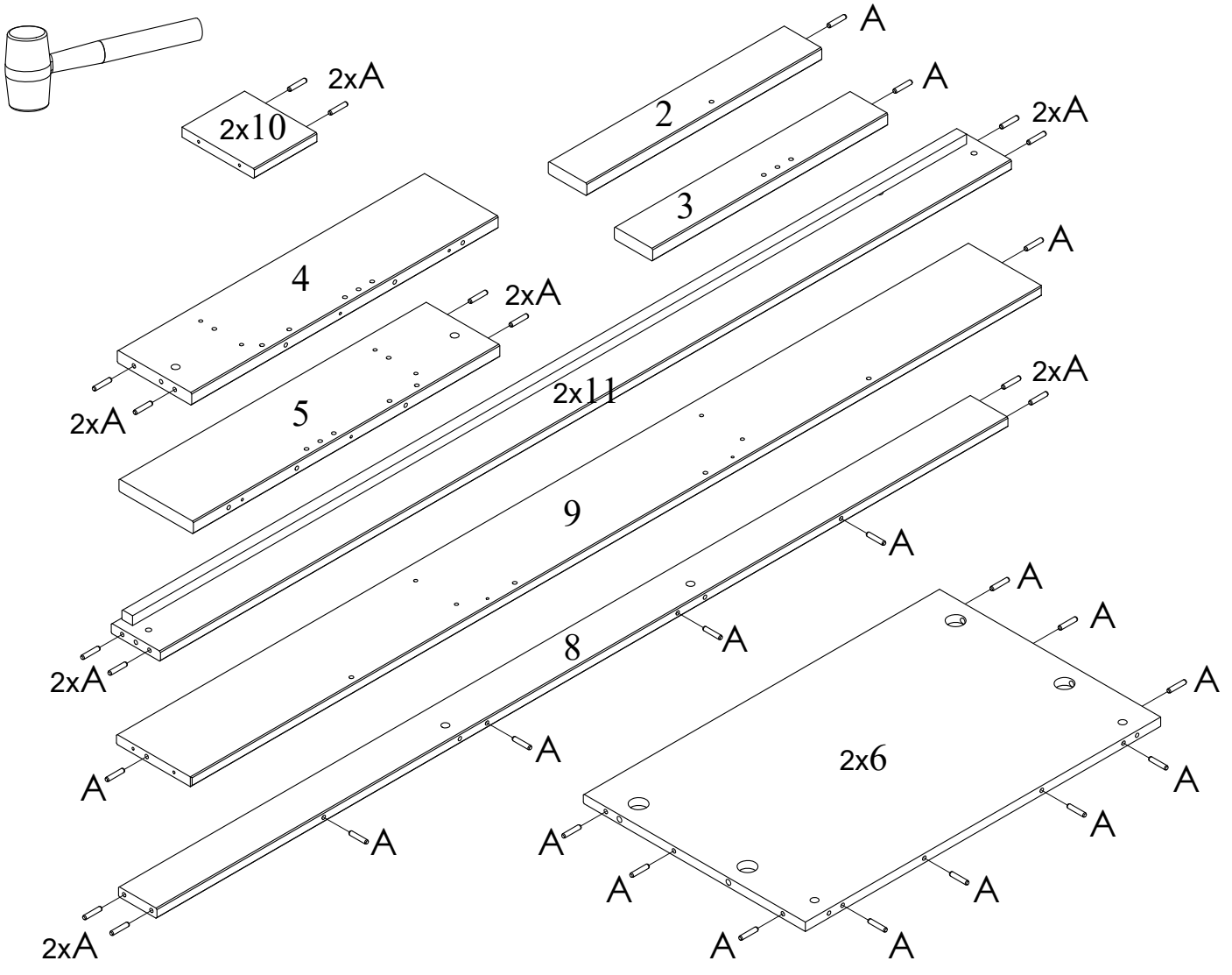
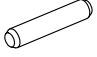


A		8x40	x48
B		7x50	x4
C		7x60	x12
D		D35	x8
E		7x34	x10
F		D15x12	x10
G		M6x60	x4
H		M6x10x13	x4

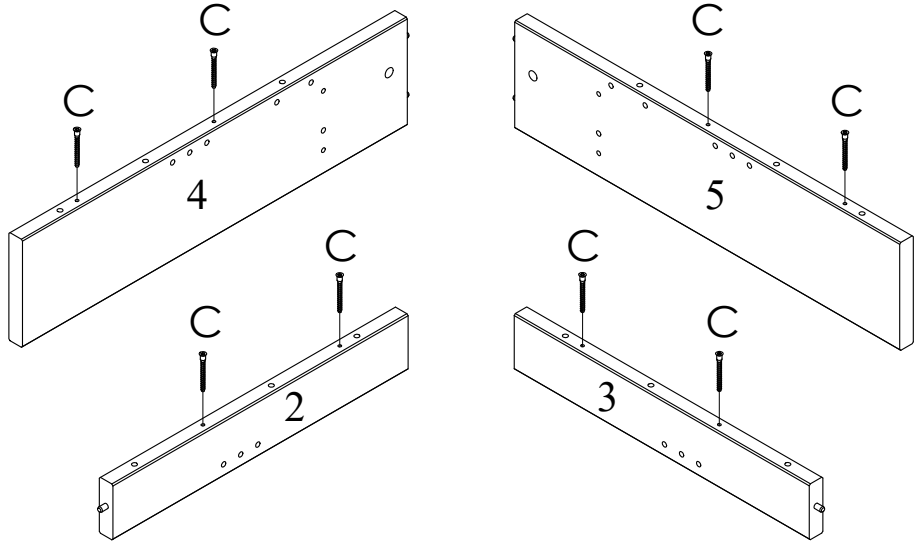
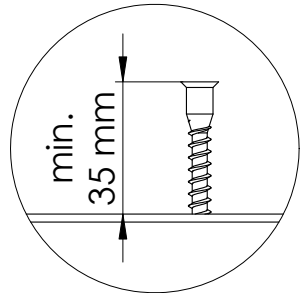
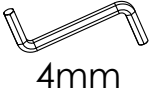
J		1,2x20	x25
K		3,5x40	x6
L		D4x13	x4
M		D15x18	x4
N		D24x3	x6
P		D35	x8
R		D20	x4
S		4mm	x1

1



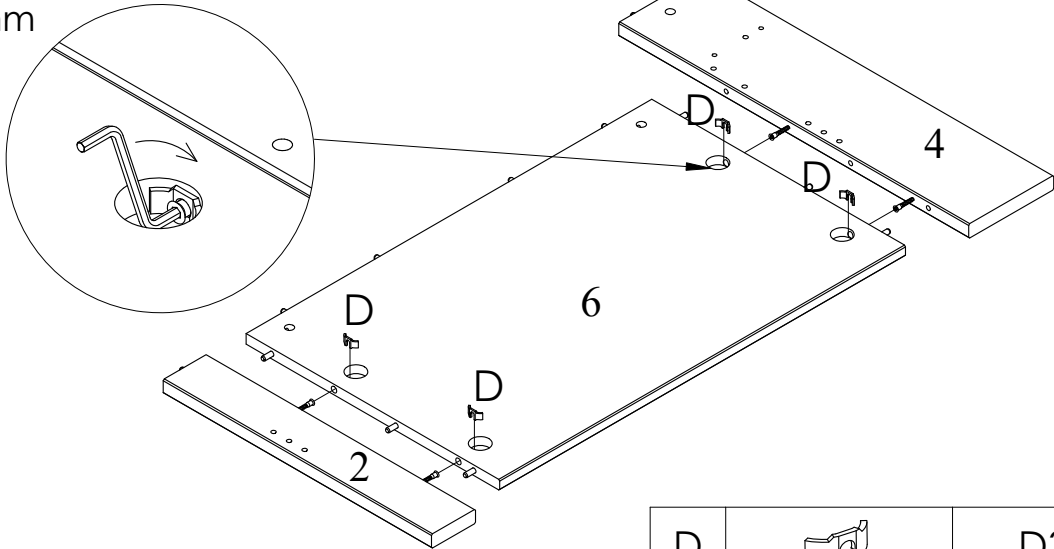
A		8x40	x48
---	---	------	-----

2



C		7x60	x8
---	---	------	----

3



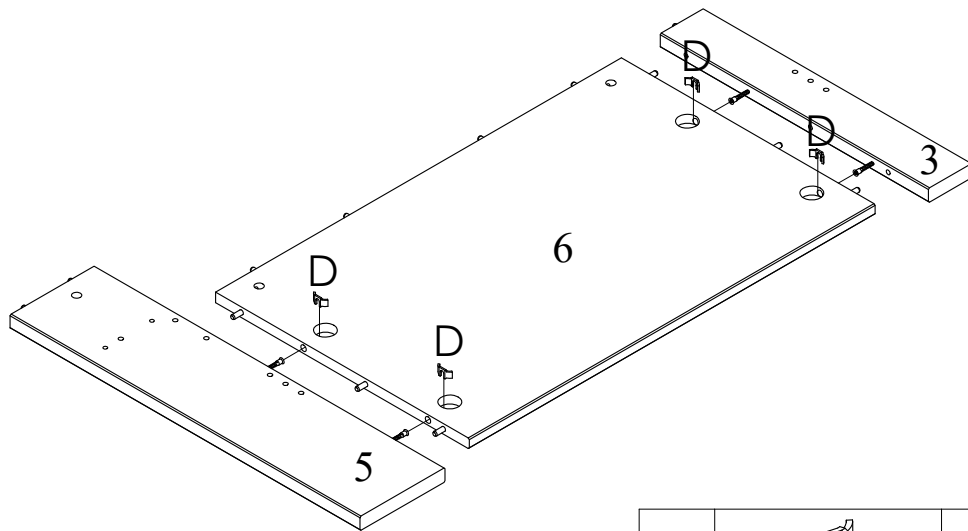
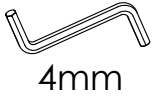
D



D35

x4

4



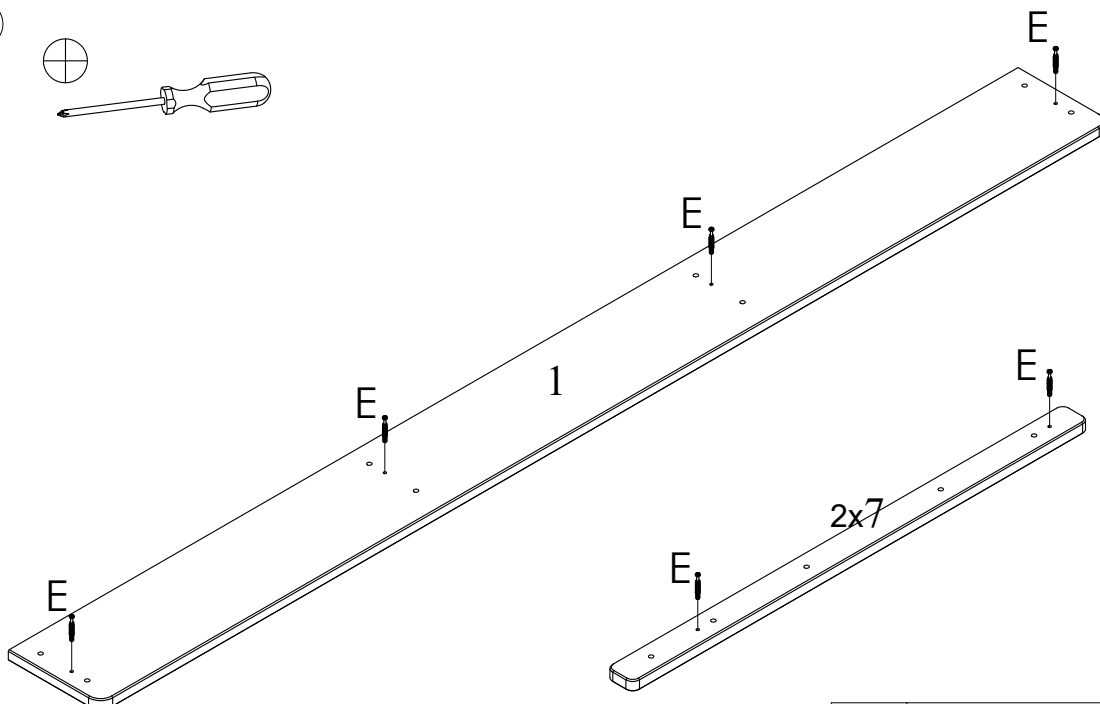
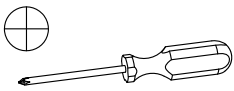
D



D35

x4

5



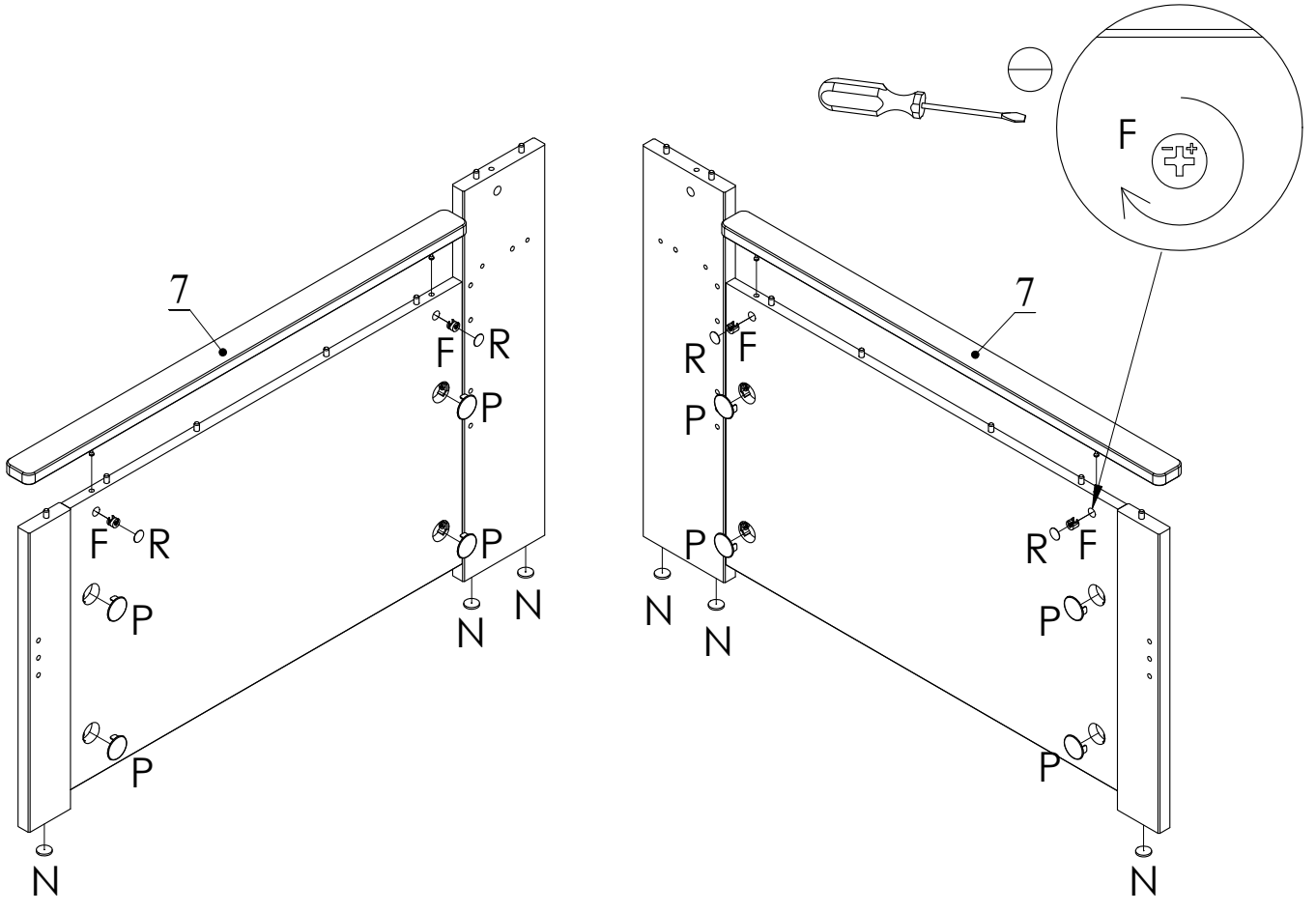
E




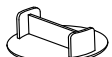
7x34

x8

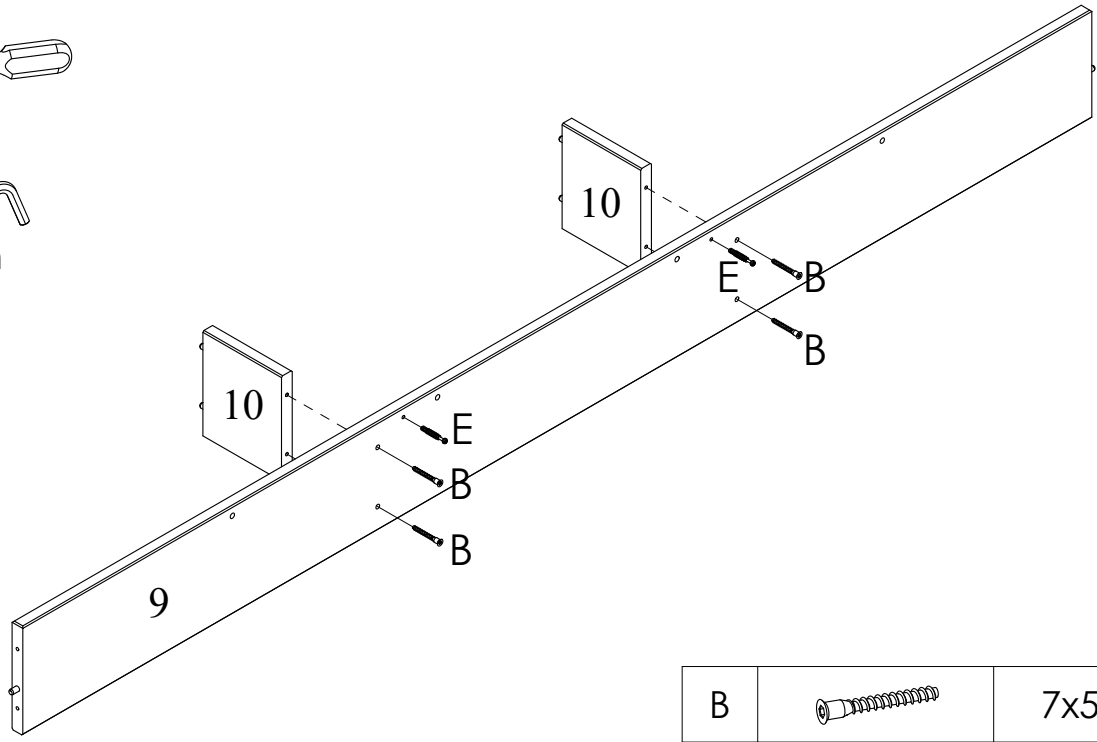
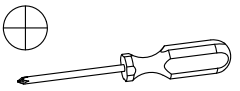
6





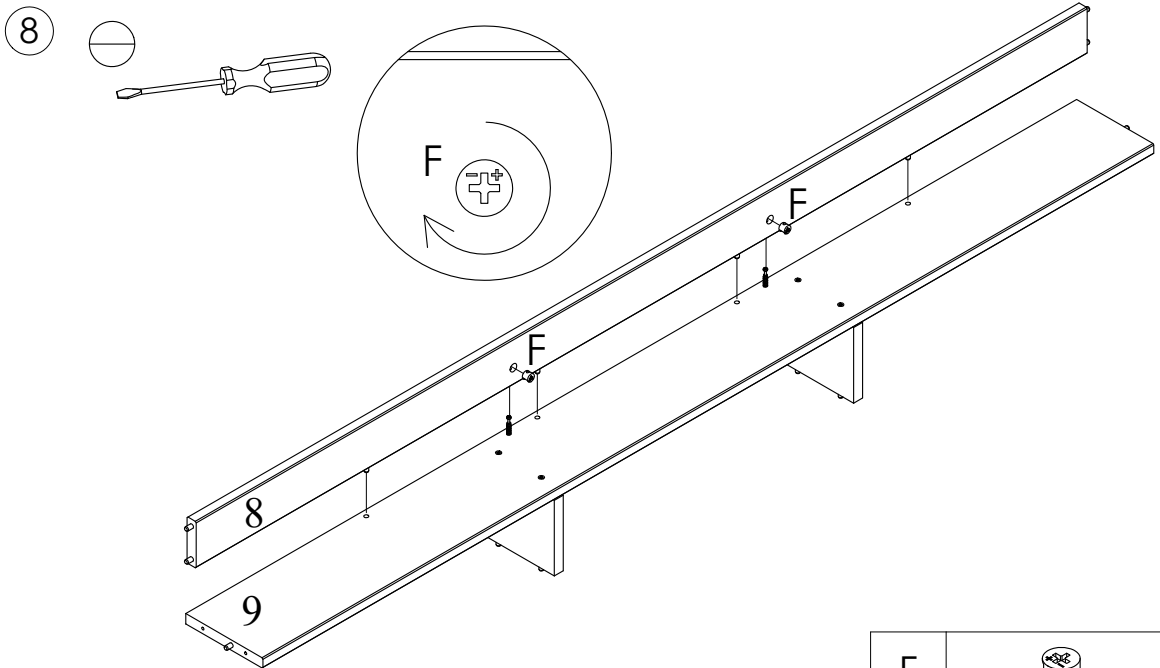
F		D15x12	x4
R		D20	x4


N		D24x3	x6
P		D35	x8

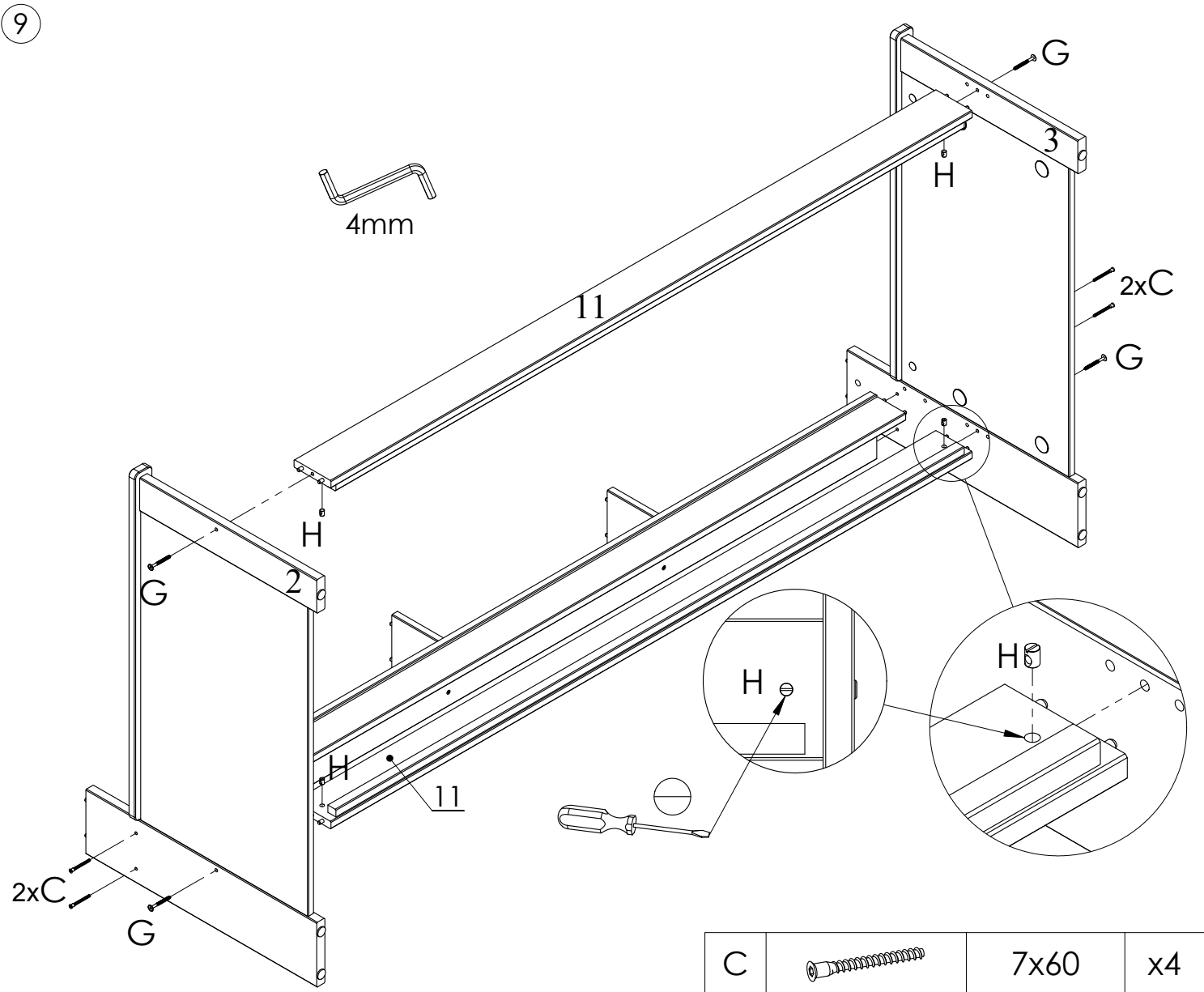
7






B		7x50	x4
E		7x34	x2

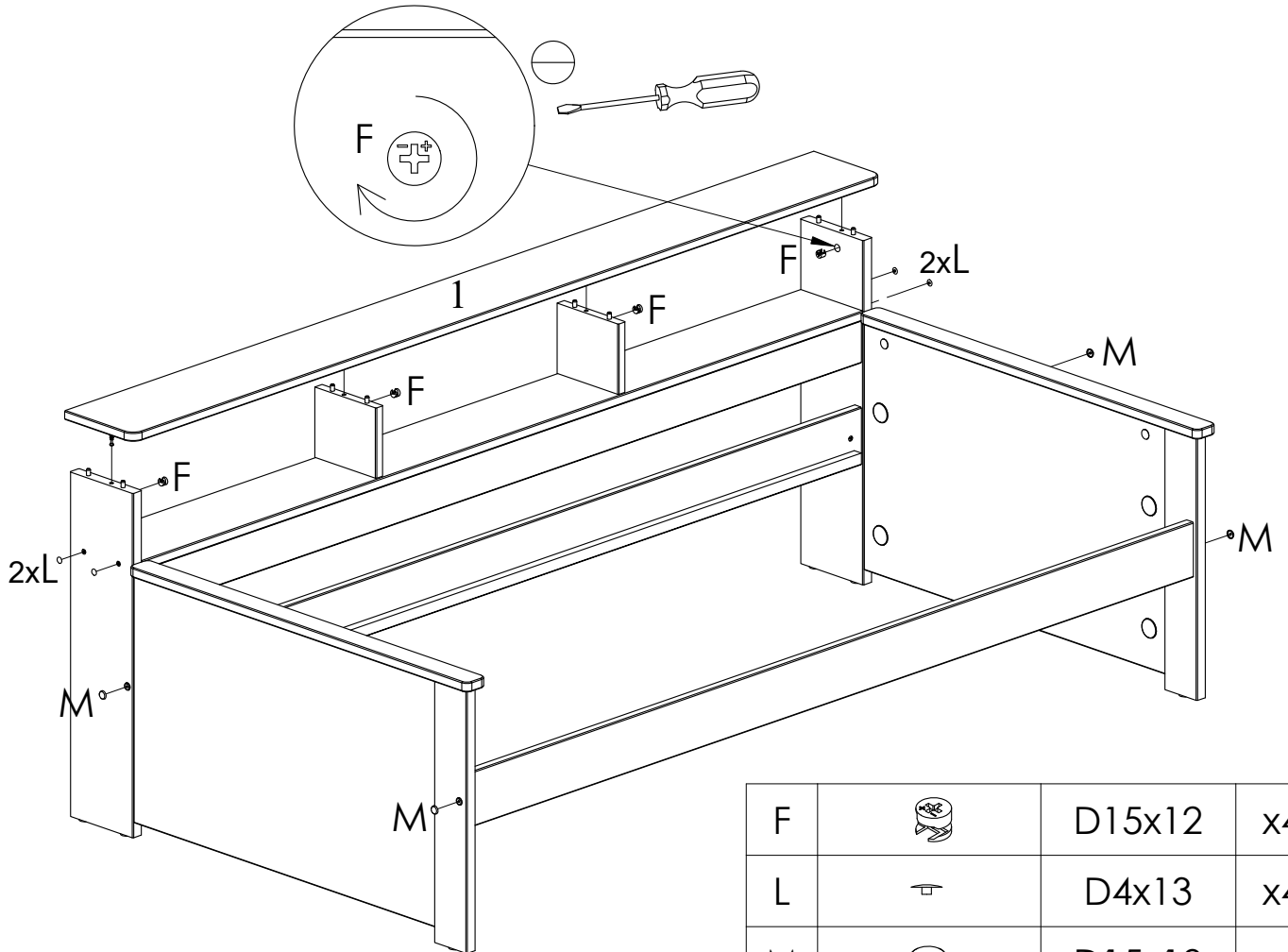





F		D15x12	x2
---	---	--------	----



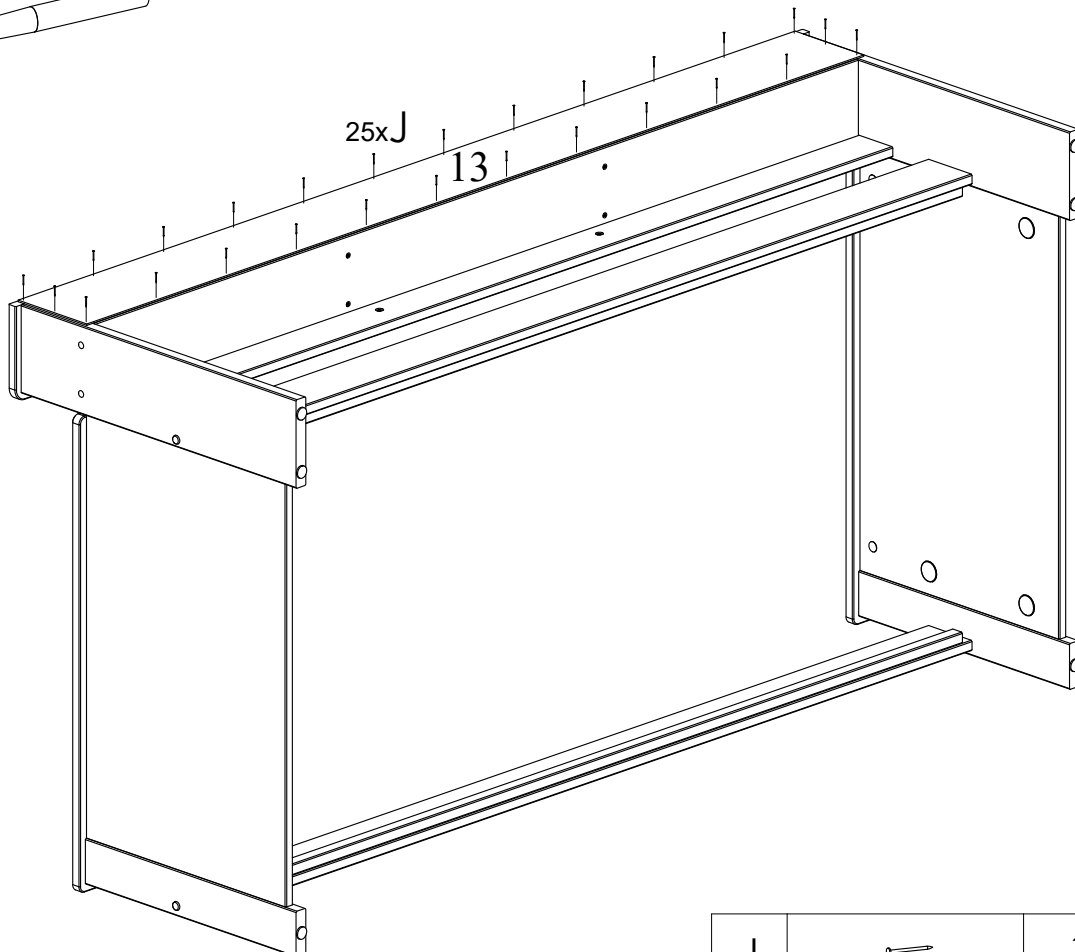
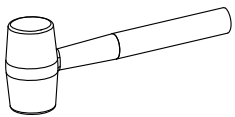
C		7x60	x4
G		M6x60	x4
H		M6x10x13	x4

10



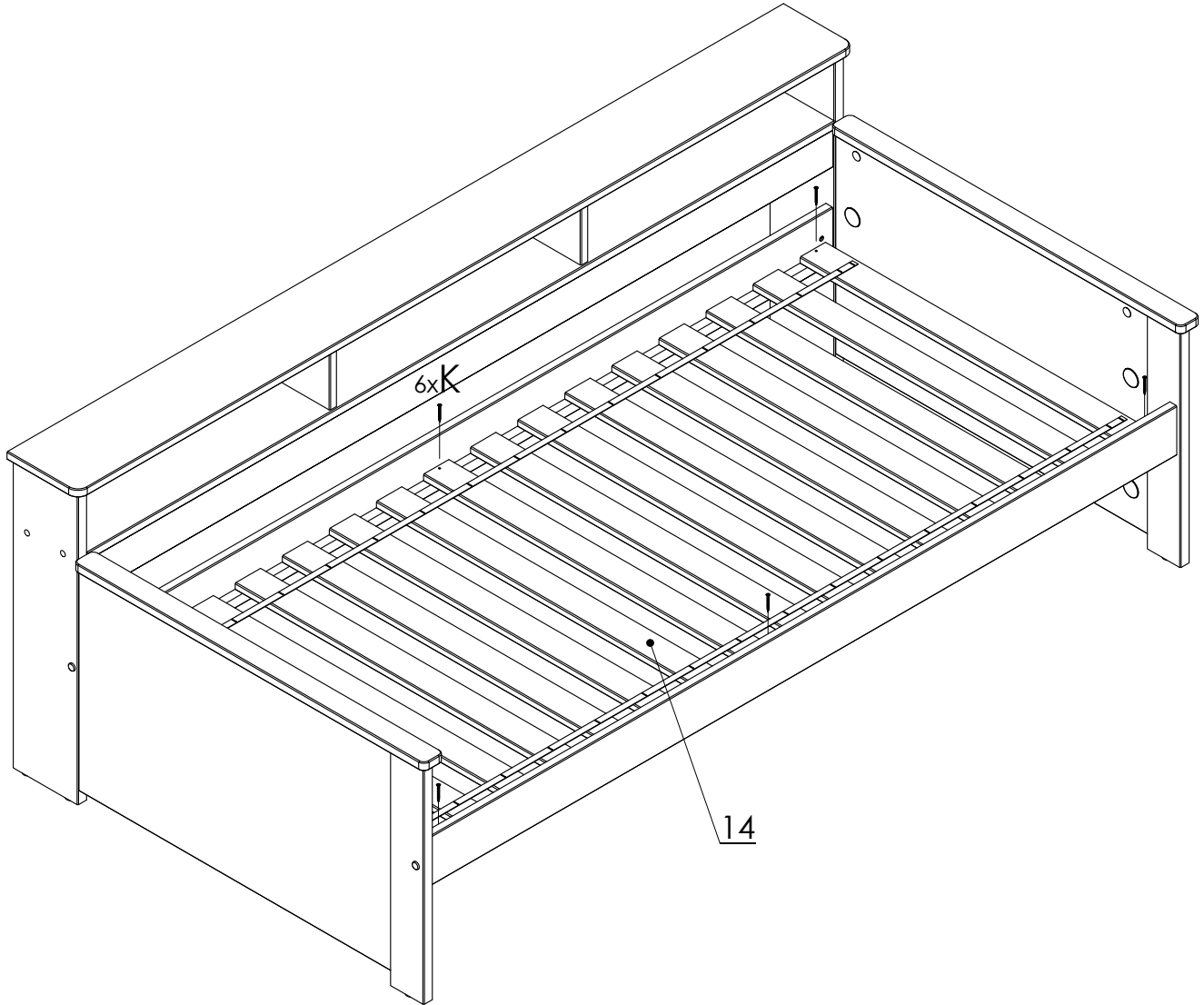
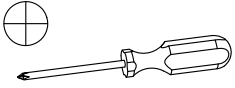
F		D15x12	x4
L		D4x13	x4
M		D15x18	x4

11



J		1,6x20	x25
---	---	--------	-----

12



K



3,5x40

x6