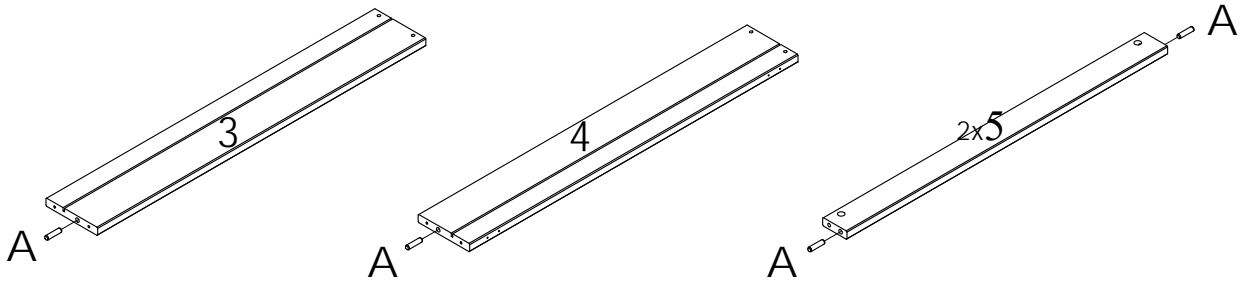
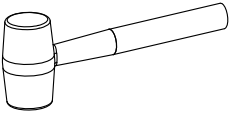
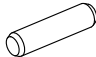


A		10x40	x6
B		7x50	x8
C		7x34	x4
D		15x12	x4
E		3,5x40	x14
F		1797	x2

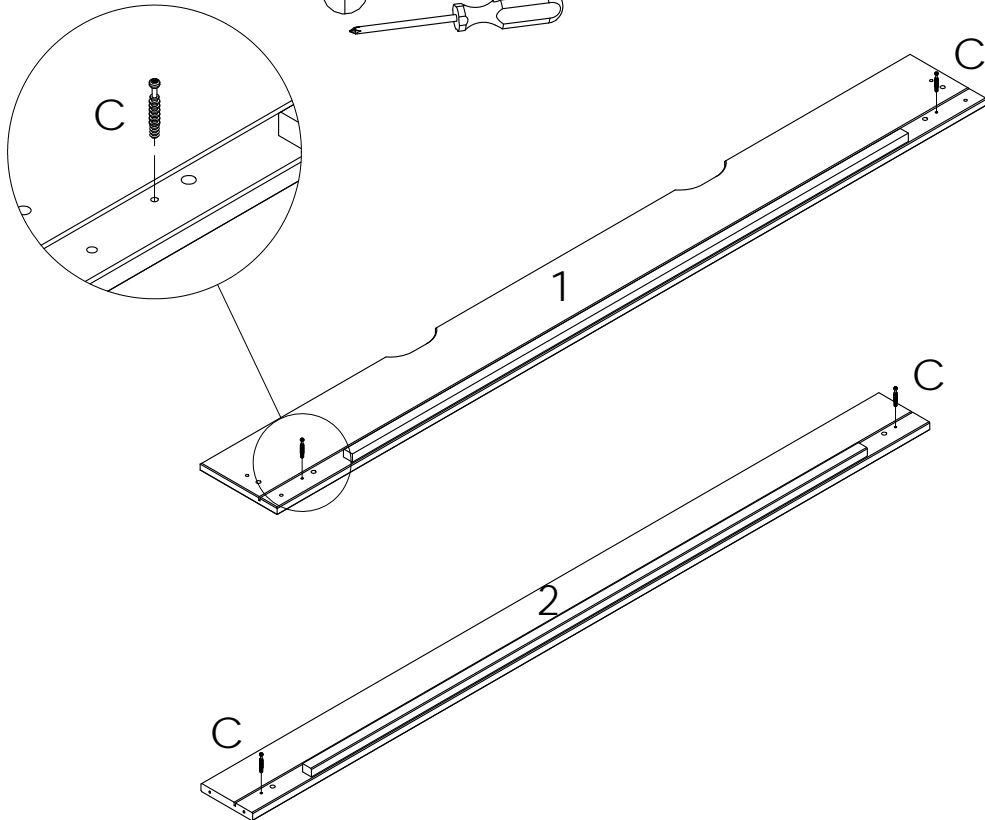
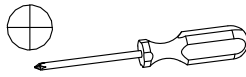
G		D26	x4
H		3,5x16	x8
J		D4x13	x8
K		120x30x6	x2
L		4mm	x1


①



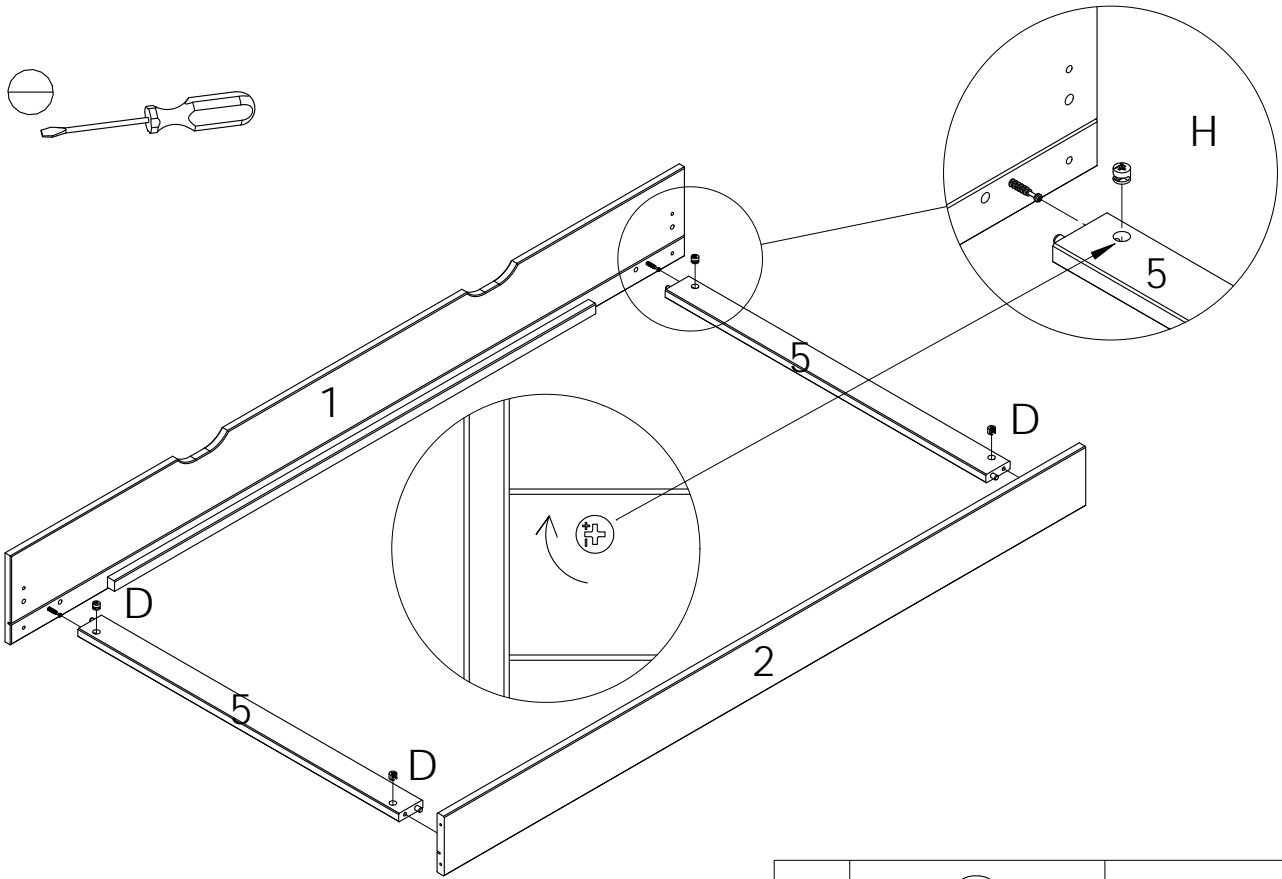
A		10x40	x6
---	---	-------	----

②



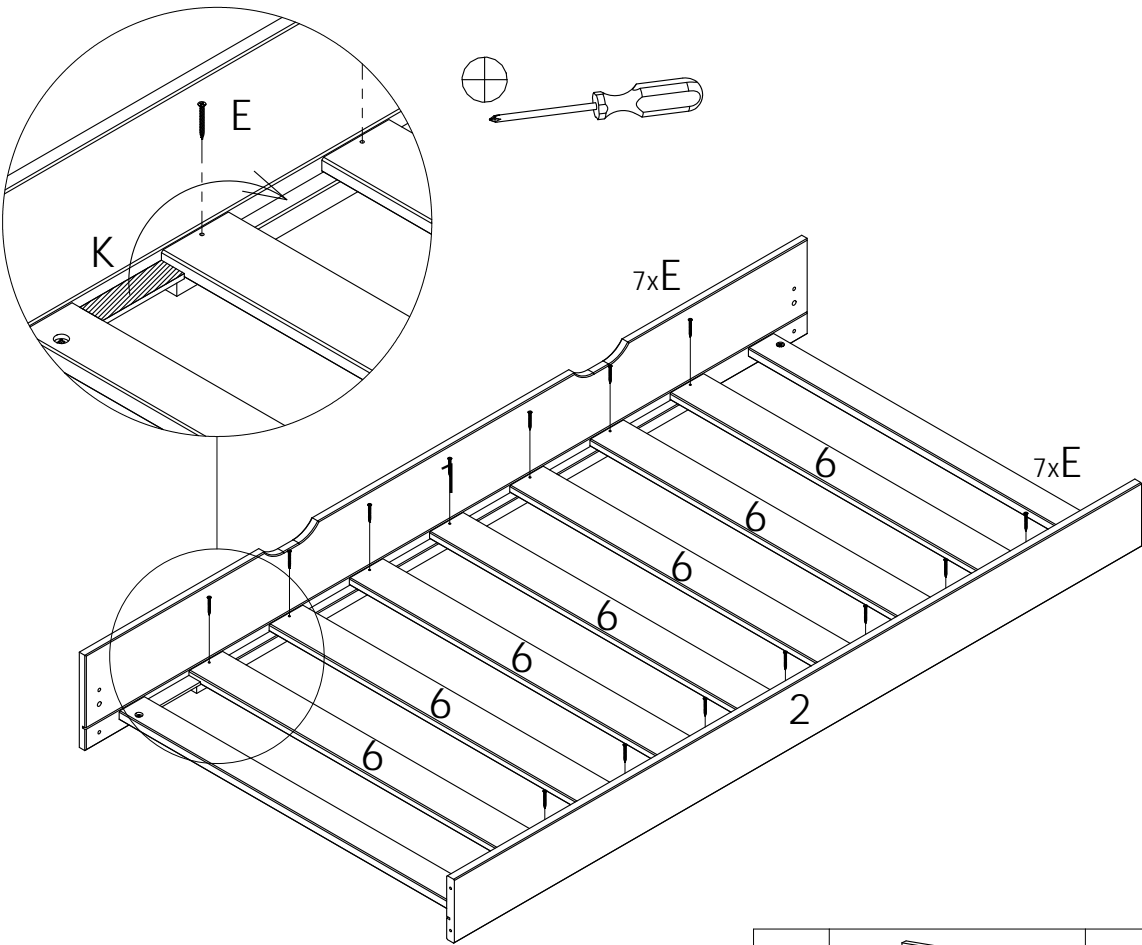
C		7x34	x4
---	---	------	----



3



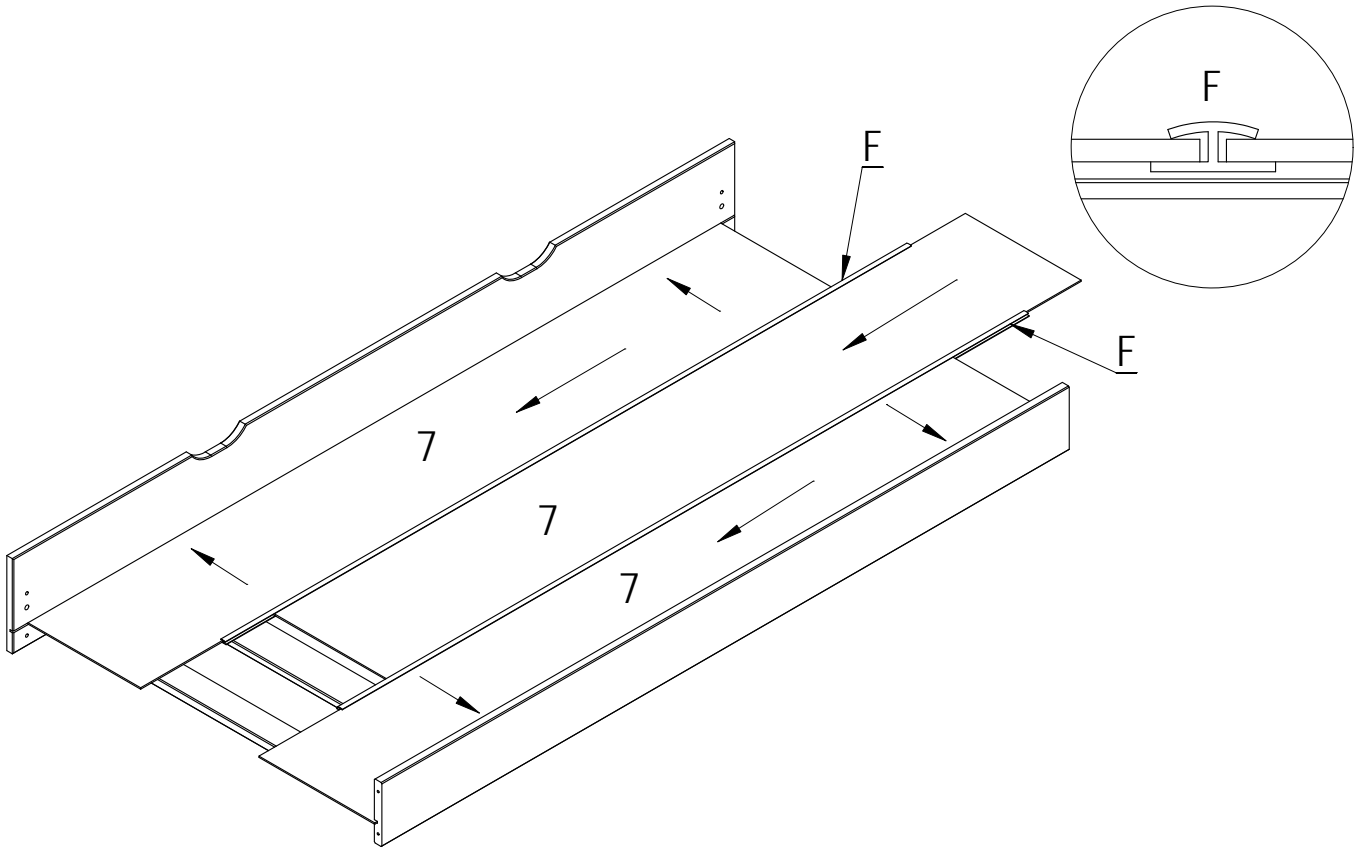
D		15x12	x4
---	--	-------	----

4



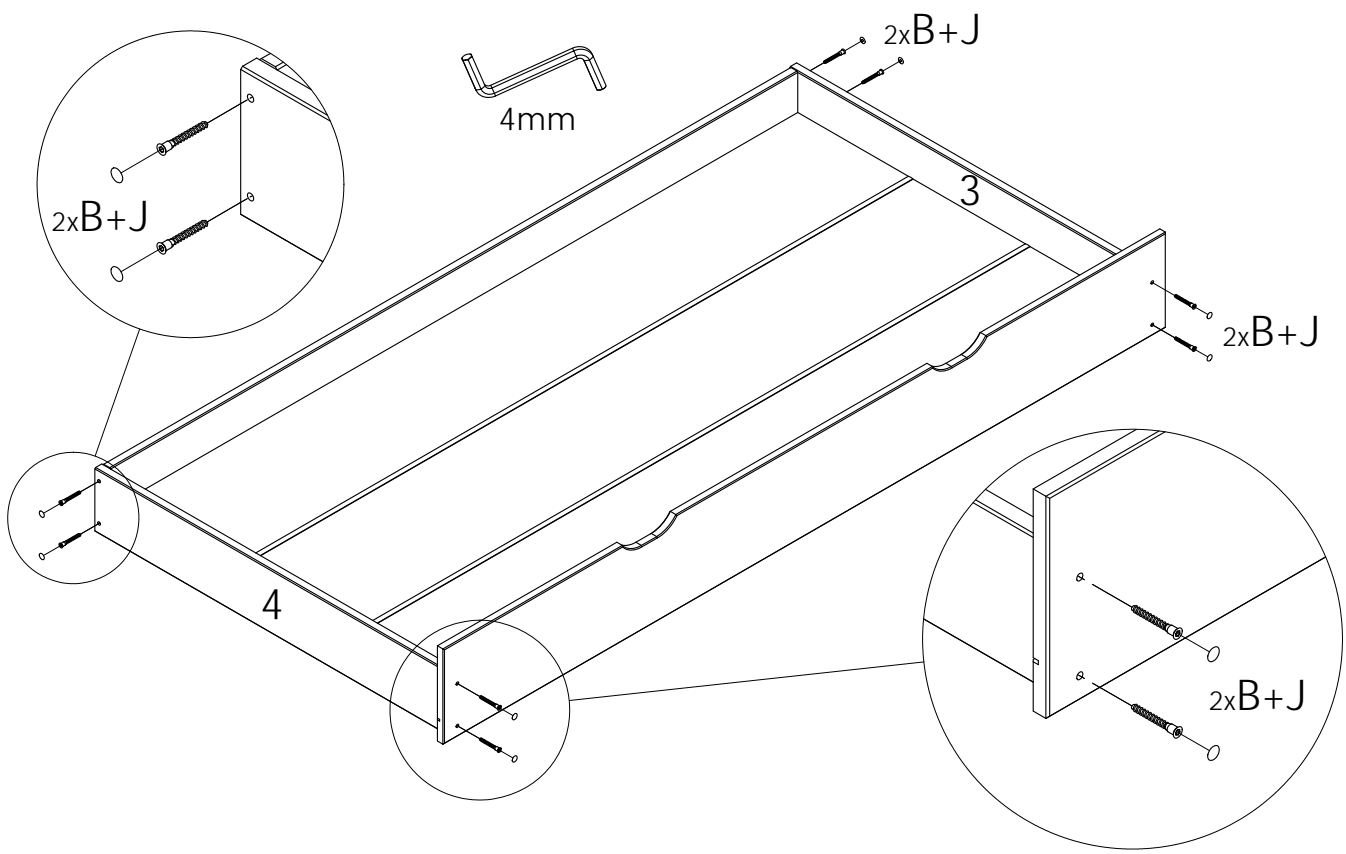
K		120x30x6	x2
E		3,5x40	x14

5



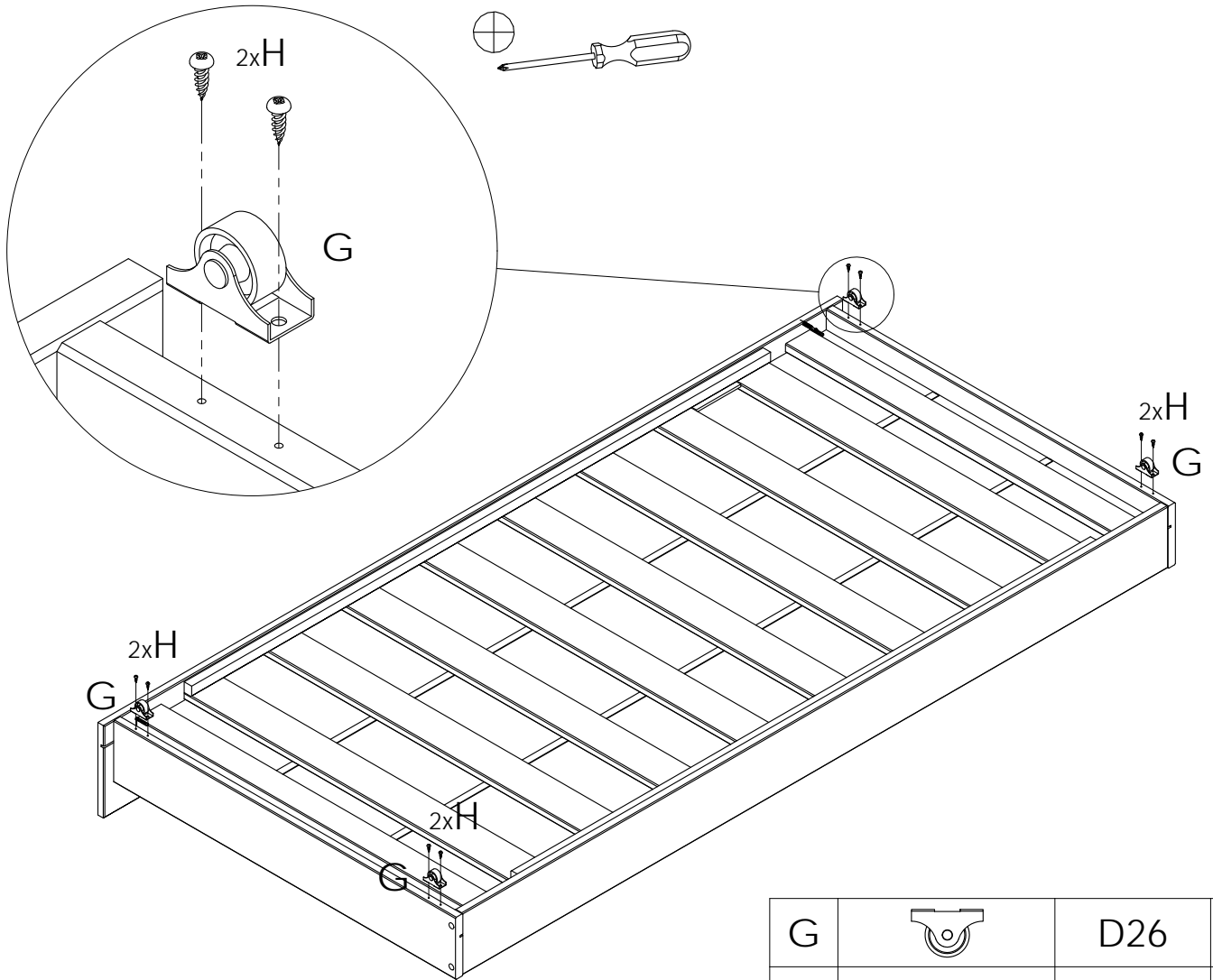
F		1797	x2
---	--	------	----

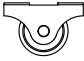

6



B		7x50	x8
J		D4x13	x8

7



G		D26	x4
H		3,5x16	x8